

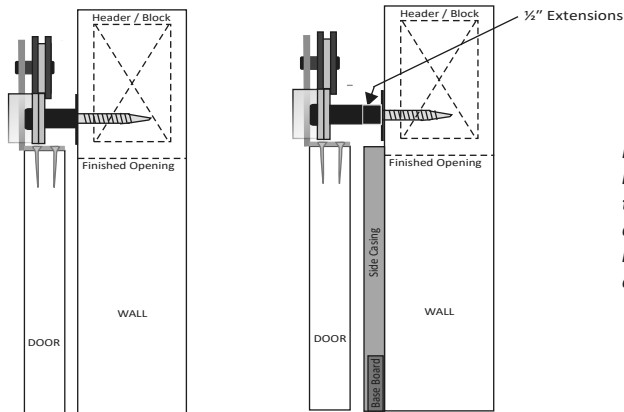
GOLDBERG BROTHERS, INC.

MP Top Mount - Installation Instructions

Included Hardware

Top mount hangers (2)	T-guide (1)	Washers (6)	Spacers (6)	Track stops (2)
Top mount screws (8)	T-guide screws (2)	Hex lag bolts (6)	Felt Pad (1)	

Basic Installation Layouts



Standard Hardware Pack installed with no casing, base, or other trim.

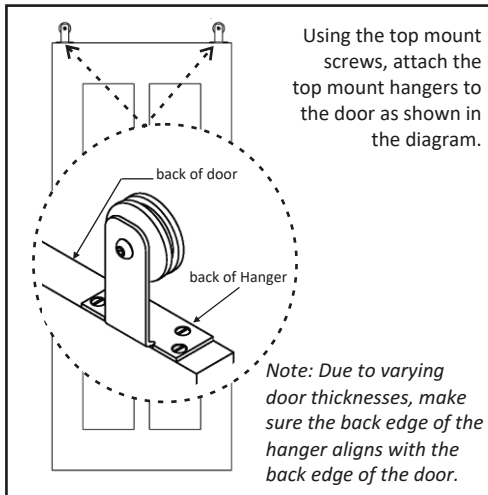
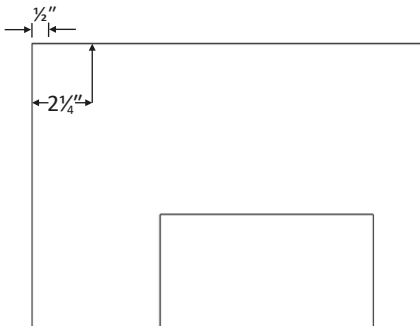
Standard Hardware Pack + 1/2" Extension Kit installed where casing, base, or other trim is up to 1/2" thick.

Note: Use the provided installation layouts and table to establish what combination of spacers will be used to install the track on the wall.

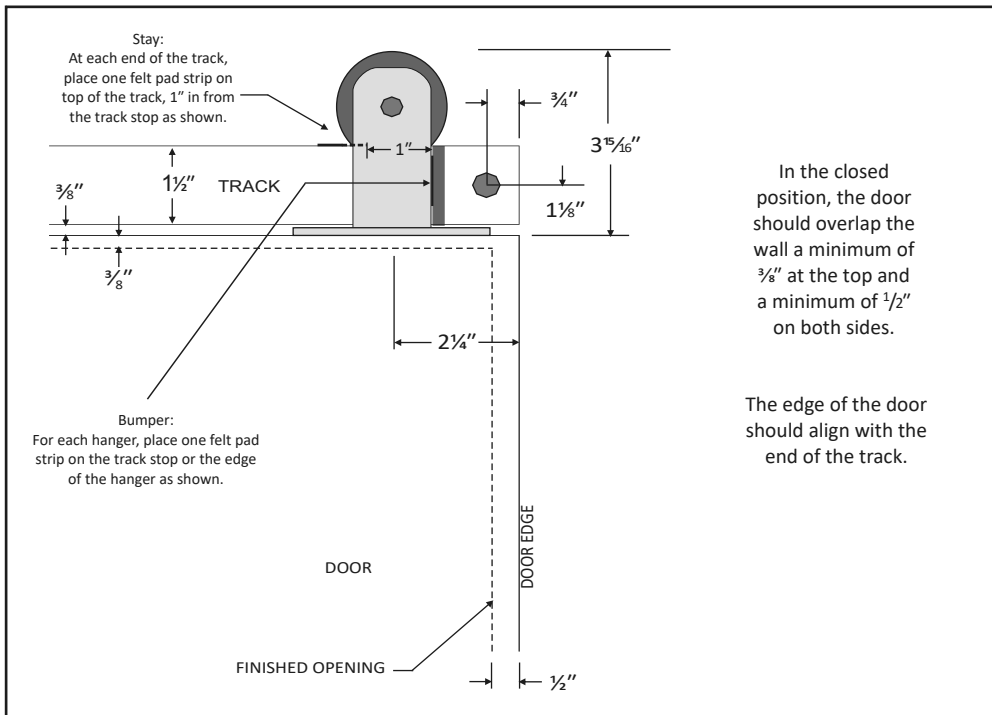
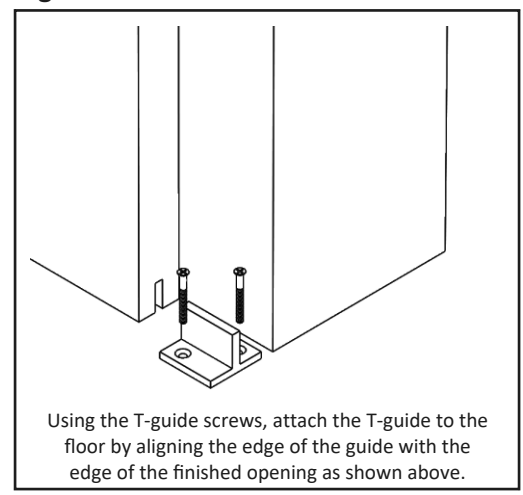
Door Thickness	Extension	Spacer(s)
1 3/8"	-	1"
1 3/8"	1/2"	1" + 1/2"
1 3/8"	1"	1" + 1/2" + 1/2"
1 3/4"	-	1" + 1/2"
1 3/4"	1/2"	1" + 1/2" + 1/2"

Door Prep and Hanger Installation

Place the top mount 1/2" from both sides of the top half of the door. The centerline should be 2 1/4".

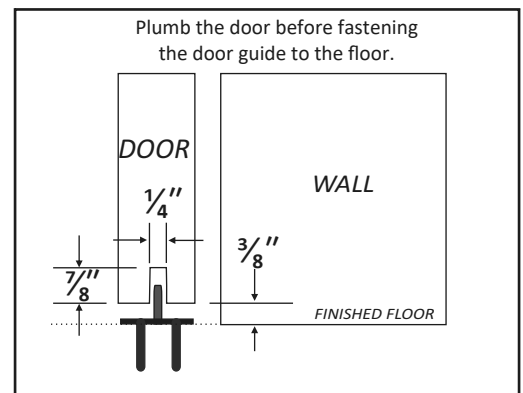


T-guide Installation



In the closed position, the door should overlap the wall a minimum of 3/8" at the top and a minimum of 1/2" on both sides.

The edge of the door should align with the end of the track.



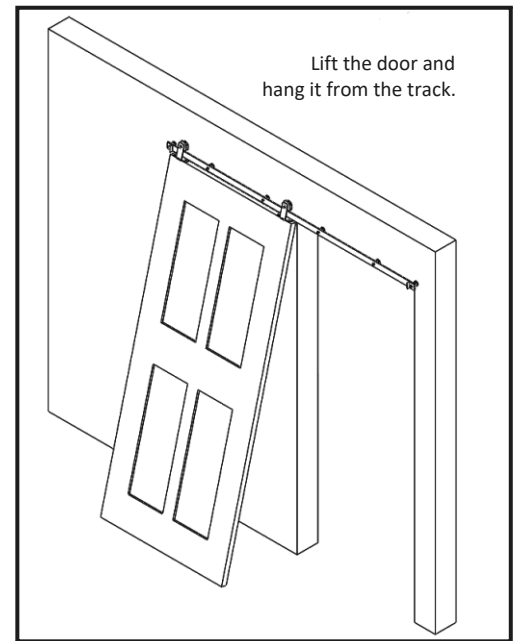
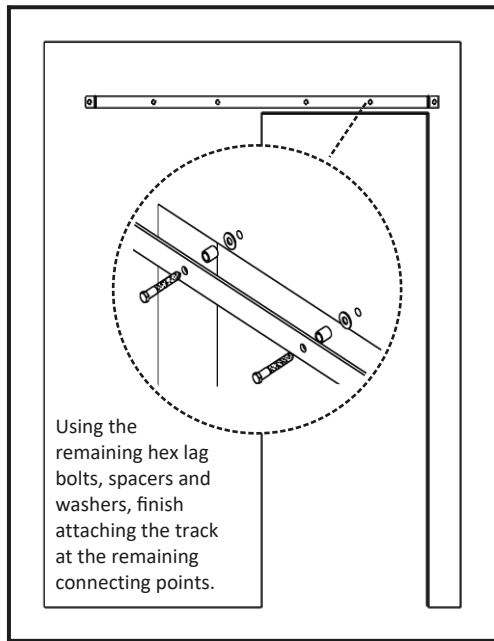
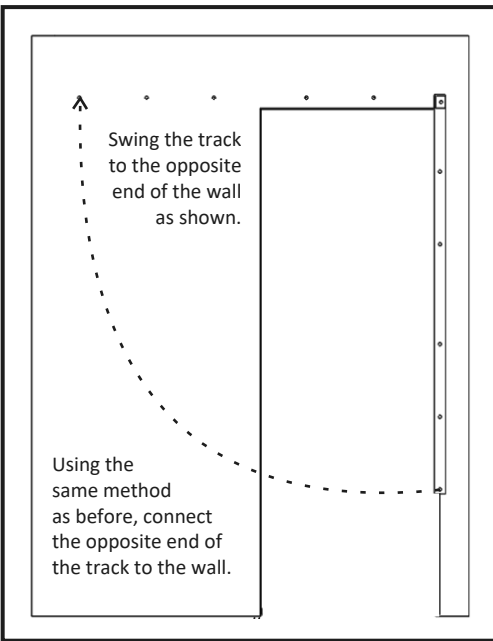
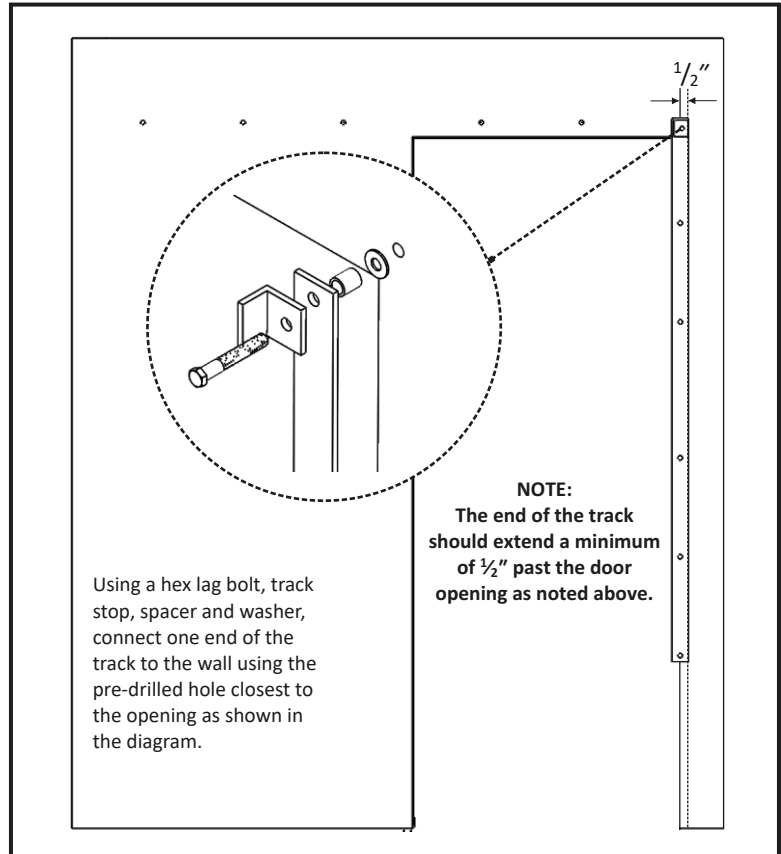
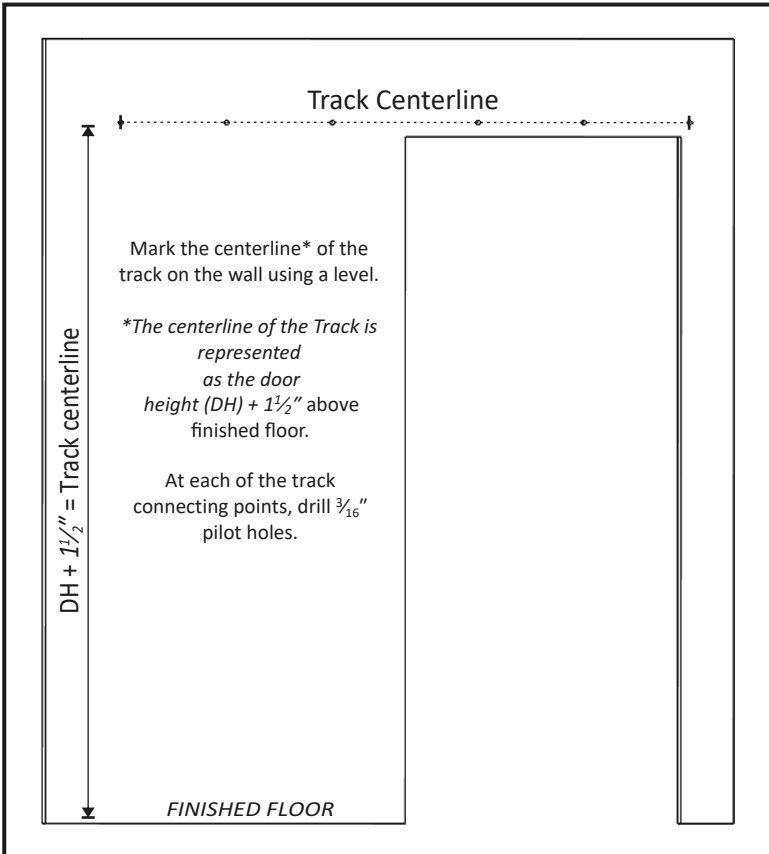
Goldberg Brothers barn door track and hardware sets come with a one-year manufacturer's warranty for defective parts under normal installation and use. Warranty is subject to repair or replacement of defective components at manufacturer's discretion and does not include installation costs.

Goldberg Brothers does not warrant the loss of finish at points where roller is in contact with track. Goldberg Barn Track is sold as a rustic finished hardware and Goldberg does not warrant the imperfections seen through the finish in the steel parts. It is part of the look.

With the exception of our stainless steel products, Goldberg Brothers does not warrant any products installed and used outdoors or where they are exposed to weather, running water or water condensation. Under these conditions, rust and other damage will naturally occur.

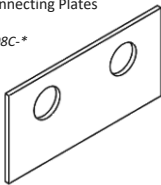
This warranty does not include loss or defects caused by elements outside the control of Goldberg Brothers, Inc., such as natural disasters, weather, fire, water leakage, abuse, improper installation, or anything else deemed out of the control of Goldberg Brothers, Inc.

Track Installation



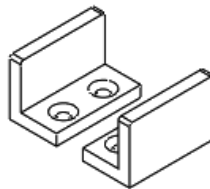
Optional Accessories

Track Connecting Plates
1 each
Part #6008C.*



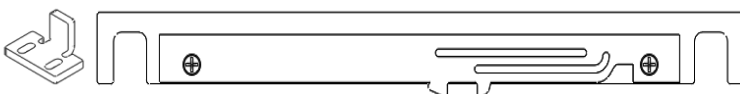
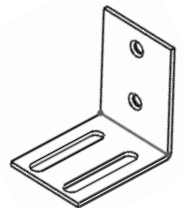
Door Guide "U"
1 set
Includes 2 "U" guides, 2 wood screws and 1 felt pad
Part #6001U.*

NOTE: Use the provided T-guide wood screws for U-guide installation.



Sidewall Guide Bracket
1 each
Includes 1 bracket, 4 machine screws, 4 nuts and 1 felt pad
Part #60015W.*

NOTE: Use the provided T-guide wood screws for sidewall guide installation.



MP Soft Stop
1set
Includes 2 Soft Stop mechanisms, 2 triggers and 4 wood screws
Part #6008SOFT11 (4' - 7' track)
Part #6008SOFT17 (8' + track)



Goldberg Brothers, Inc.
10488 W Centennial Rd, Suite 100
Littleton, CO 80127
(303) 321-1099

* Indicates that the related part is available in various colors.