

# GOLDBERG BROTHERS, INC.

## Stainless Steel Top Mount - Installation Instructions

60050H

### Included Hardware

Top mount hangers (2)  
Top mount screws (8)

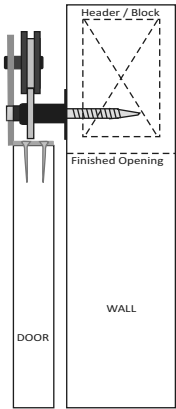
T-guide (1)  
T-guide screws (2)

Washers (6)  
Hex lag bolts (6)

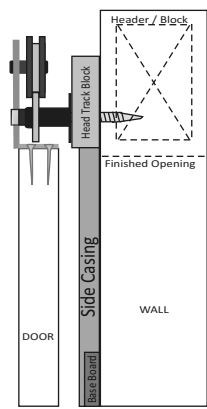
Spacers (6)  
Felt Pad (1)

Track stops (2)

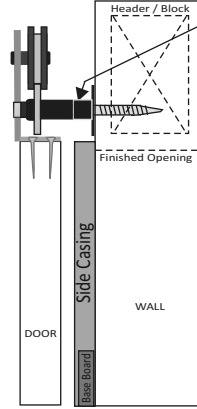
### Basic Install Layouts



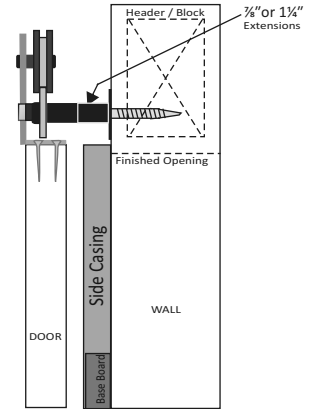
Standard Hardware Pack installed with no casing, base, or other trim.



Standard Hardware Pack installed on track trim board that is equal to or thicker than casing, base, or other trim.



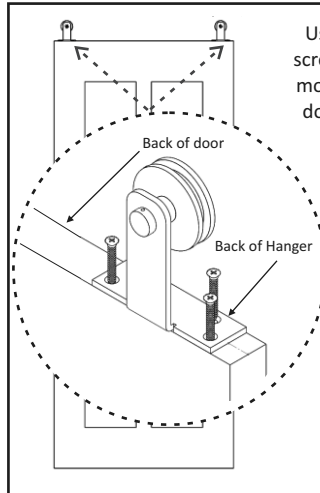
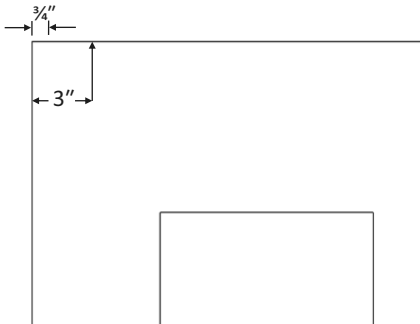
Standard Hardware Pack + 1/2" Extension Kit installed where casing, base, or other trim is up to 1/2" thick.



Standard Hardware Pack + 3/8" or 1/4" Extension Kit installed where casing, base, or other trim is greater than 5/8".

### Door Prep and Hanger Installation

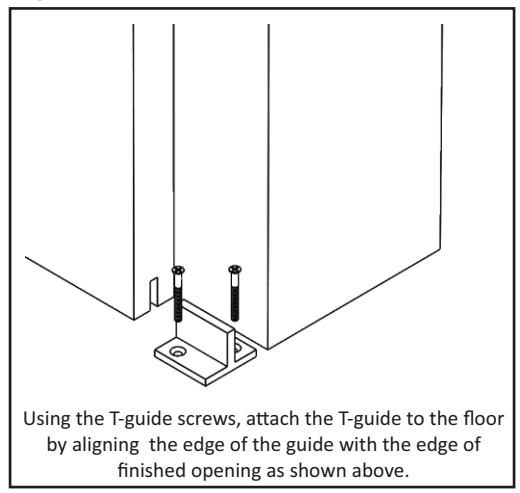
Place the top mount hangers 3/4" from both sides of the top half of the door. The centerline should be 3".



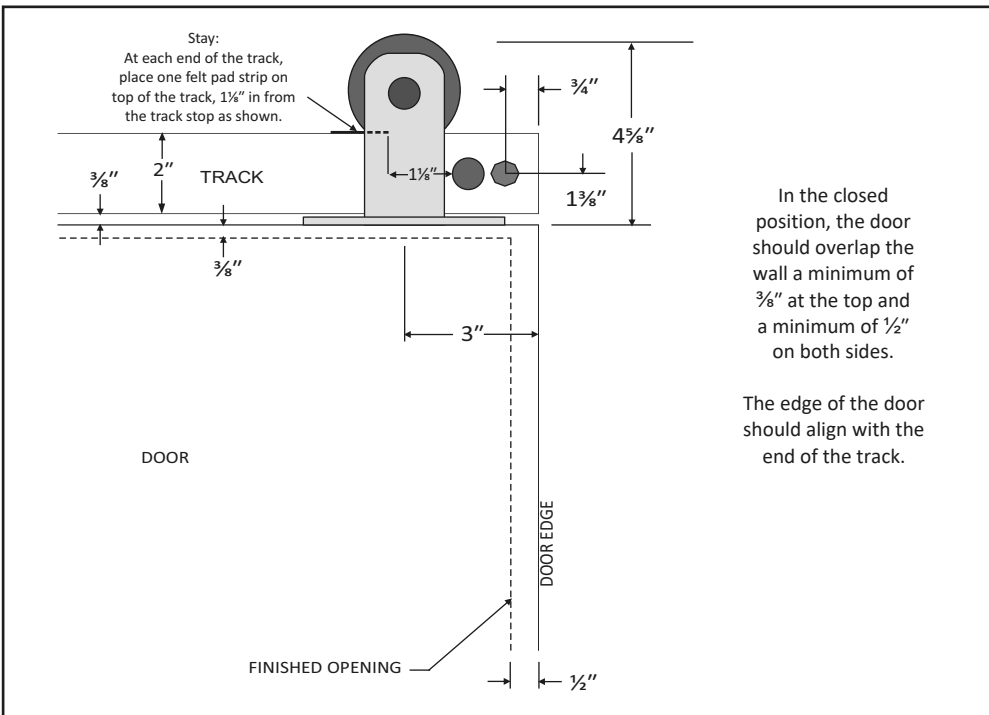
Using the top mount screws, attach the top mount hangers to the door as shown in the diagram.

*Note: Due to varying door thicknesses, make sure the back of the hanger aligns with the back of the door.*

### T-guide Installation

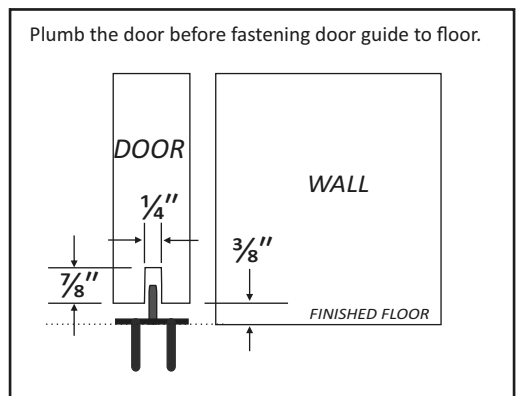


Using the T-guide screws, attach the T-guide to the floor by aligning the edge of the guide with the edge of finished opening as shown above.



In the closed position, the door should overlap the wall a minimum of 3/8" at the top and a minimum of 1/2" on both sides.

The edge of the door should align with the end of the track.



Plumb the door before fastening door guide to floor.

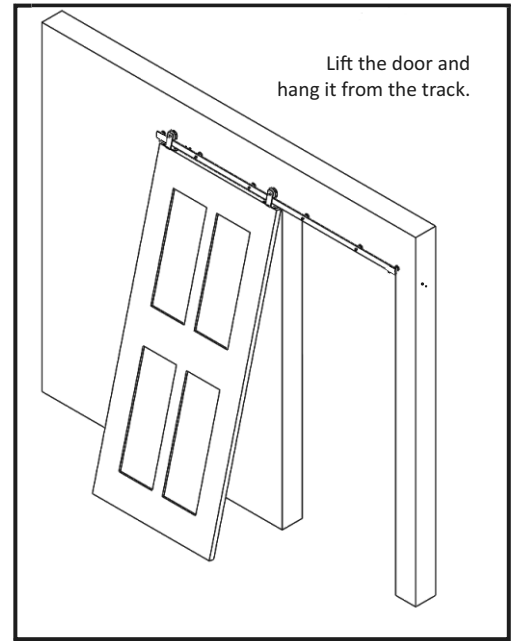
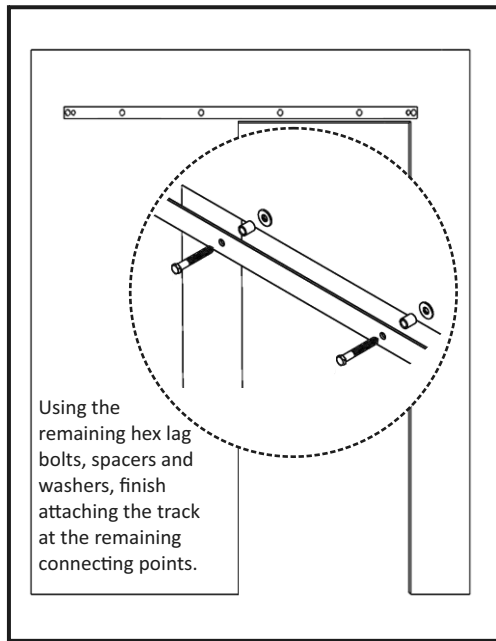
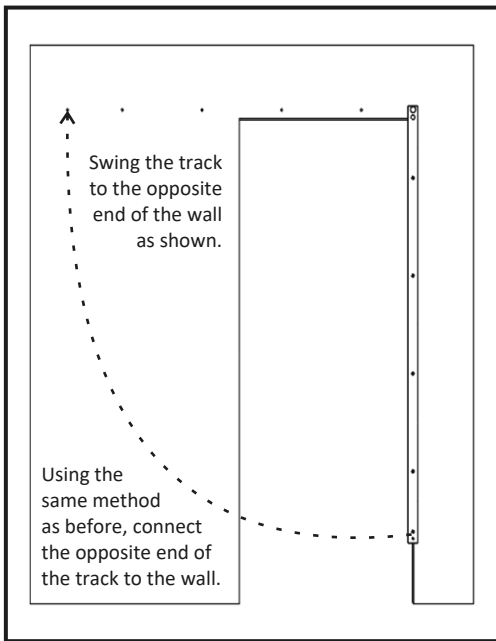
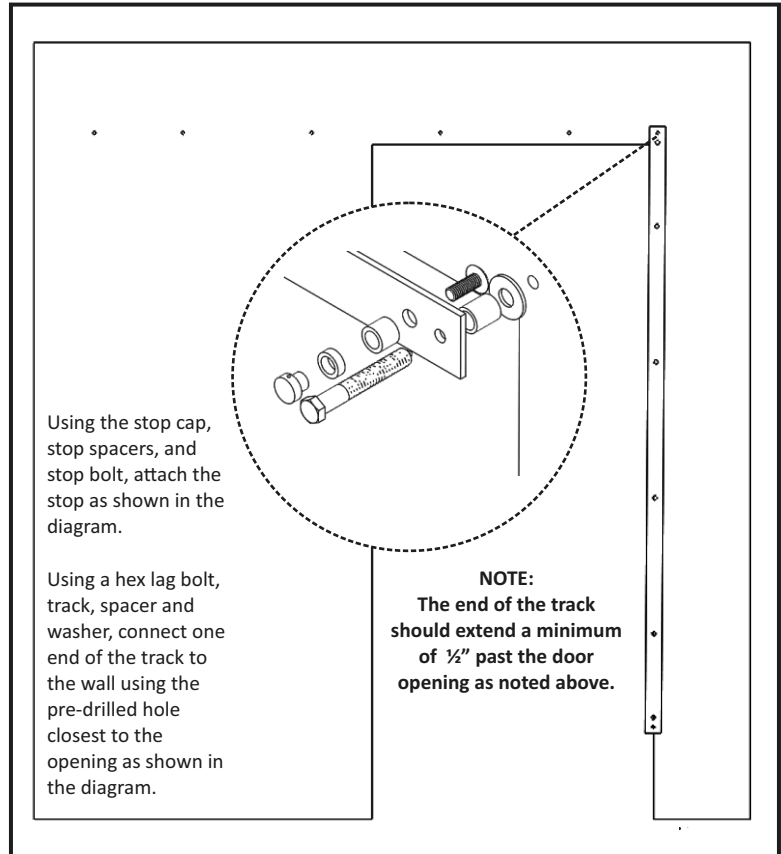
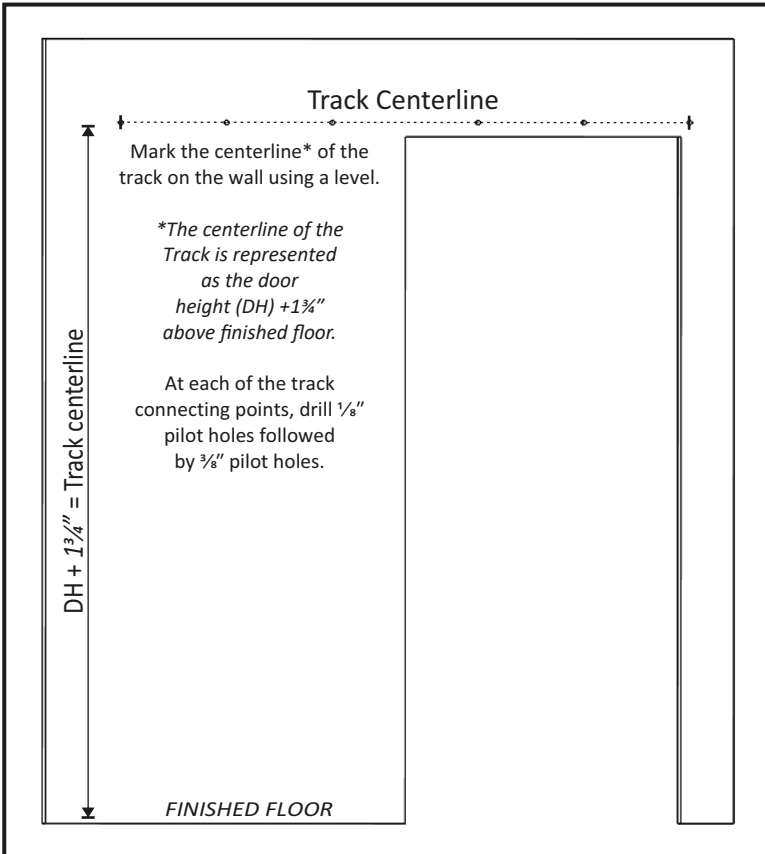
Goldberg Brothers barn door track and hardware sets come with a one-year manufacturer's warranty for defective parts under normal installation and use. Warranty is subject to repair or replacement of defective components at manufacturer's discretion and does not include installation costs.

Goldberg Brothers does not warrant the loss of finish at points where roller is in contact with track. Goldberg Barn Track is sold as a rustic finished hardware and Goldberg does not warrant the imperfections seen through the finish in the steel parts. It is part of the look.

With the exception of our stainless steel products, Goldberg Brothers does not warrant any products installed and used outdoors or where they are exposed to weather, running water or water condensation. Under these conditions, rust and other damage will naturally occur.

This warranty does not include loss or defects caused by elements outside the control of Goldberg Brothers, Inc., such as natural disasters, weather, fire, water leakage, abuse, improper installation, or anything else deemed out of the control of Goldberg Brothers, Inc.

# Track Installation

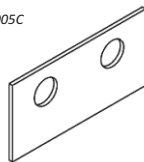


## Optional Accessories

Wall Extension Bolts Set  
Includes 6 lag bolts and 6 wall spacers

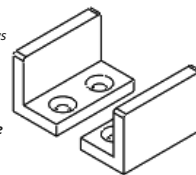
	1/2" Extension	3/4" Extension	1 1/4" Extension
1 1/2" Door	Part #60053E	Part #60053EX	Part #60053EXX
1 3/4" Door	Part #60054E	Part #60054EX	Part #60054EXX
2 1/4" Door	Part #60055E	Part #60055EX	Part #60055EXX

Track Connecting Plate  
1 each  
Part #6005C



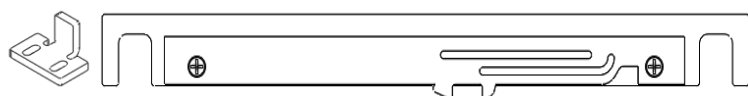
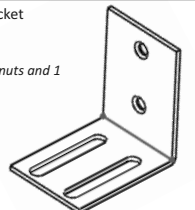
Door Guide "U"  
1 set  
Includes 2 "U" guides, 2 wood screws and 1 felt pad  
Part #6005U

**NOTE: Use the provided T-guide wood screws for U-guide installation.**



Sidewall Guide Bracket  
1 each  
Includes 1 bracket, 4 machine screws, 4 nuts and 1 felt pad  
Part #6005SW

**NOTE: Use the provided T-guide wood screws for side wall guide installation.**



Soft Stop  
1 set  
Includes 2 Soft Stop mechanisms, 2 triggers and 4 wood screws  
Part #6005SOFT11 (4'-7" track)  
Part #6005SOFT17 (8'+ track)



Goldberg Brothers, Inc.  
10488 W Centennial Rd, Suite 100  
Littleton, CO 80127  
(303) 321-1099