

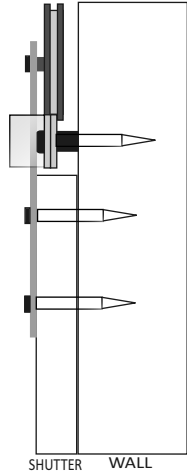
GOLDBERG BROTHERS, INC.

Dummy Series Wagon Wheel - Exterior - Installation Instructions

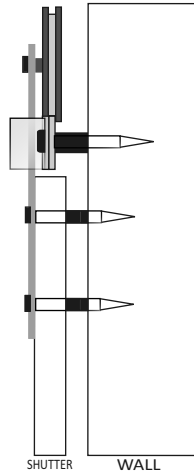
Included Hardware

Wagon wheel hangers (2)	$\frac{3}{4}$ " Spacers (5)	$\frac{1}{4}$ " x $3\frac{1}{2}$ " Hex lag bolts (8)	$\frac{1}{8}$ " Spacer (8)
Track stops (2)	$\frac{1}{4}$ " Spacer (16)	$\frac{5}{16}$ " x $3\frac{1}{2}$ " Hex head bolts (5)	

Basic Installation Layouts



Standard Hardware Pack installed when shutter is $1\frac{1}{2}$ ".



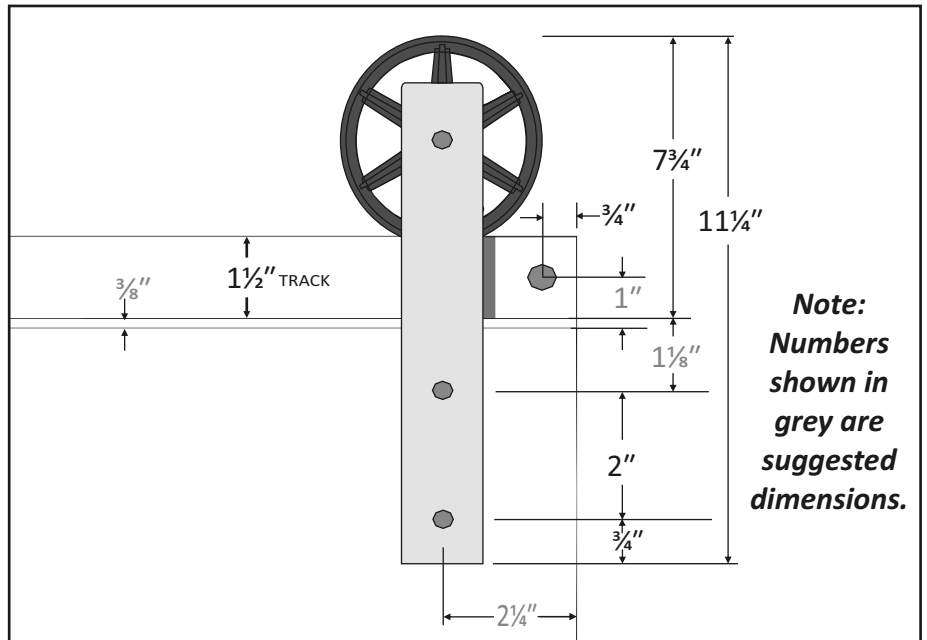
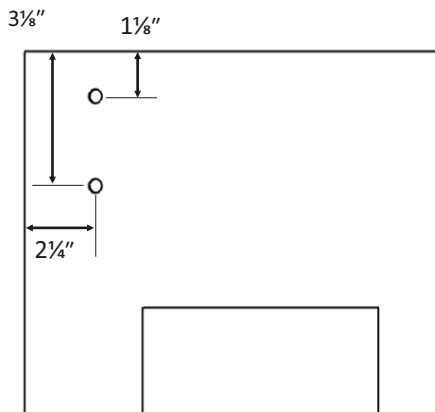
Standard Hardware Pack installed when shutter is less than $1\frac{1}{2}$ ".

Note: Use the provided installation layouts and table to establish what combination of spacers will be used to install the shutter to the wall.

Shutter Thickness	Spacer
$\frac{3}{4}$ "	$\frac{1}{4}$ " + $\frac{1}{4}$ " + $\frac{1}{8}$ "
$\frac{7}{8}$ "	$\frac{1}{4}$ " + $\frac{1}{4}$ "
1"	$\frac{1}{4}$ " + $\frac{1}{8}$ "
$1\frac{1}{8}$ "	$\frac{1}{4}$ "
$1\frac{1}{4}$ "	$\frac{1}{8}$ "
$1\frac{1}{2}$ "	-

Door Prep

$2\frac{1}{4}$ " from both sides of the top half of the item being hung, measure down $1\frac{1}{8}$ " and $3\frac{1}{8}$ " and drill $\frac{1}{4}$ " pilot holes.



Note:
Numbers shown in grey are suggested dimensions.

Goldberg Brothers barn door track and hardware sets come with a one-year manufacturer's warranty for defective parts under normal installation and use. Warranty is subject to repair or replacement of defective components at manufacturer's discretion and does not include installation costs.

Goldberg Brothers does not warrant the loss of finish at points where roller is in contact with track. Goldberg Barn Track is sold as a rustic finished hardware and Goldberg does not warrant the imperfections seen through the finish in the steel parts. It is part of the look.

With the exception of our stainless steel products, Goldberg Brothers does not warrant any products installed and used outdoors or where they are exposed to weather, running water or water condensation. Under these conditions, rust and other damage will naturally occur.

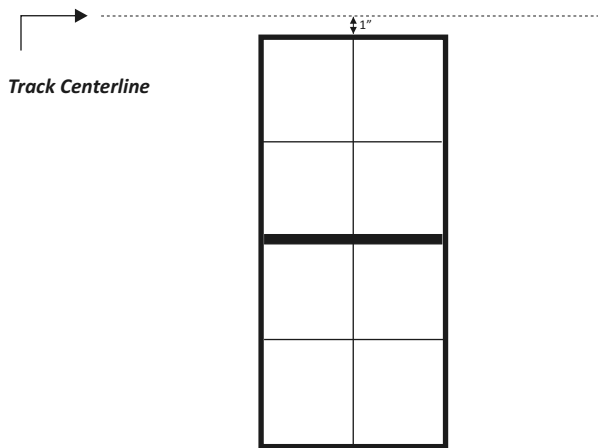
This warranty does not include loss of defects caused by elements outside the control of Goldberg Brothers, Inc., such as natural disasters, weather, fire, water leakage, abuse, improper installation, or anything else deemed out of the control of Goldberg Brothers, Inc.



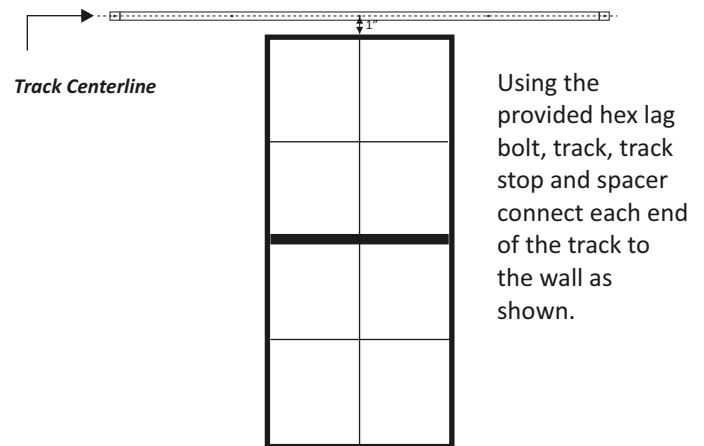
Goldberg Brothers, Inc.
10488 W Centennial Rd, Suite 100
Littleton, CO 80127
(303) 321-1099

Track Installation

Measure 1" above the window and mark this height. This is where your *track centerline* will sit.

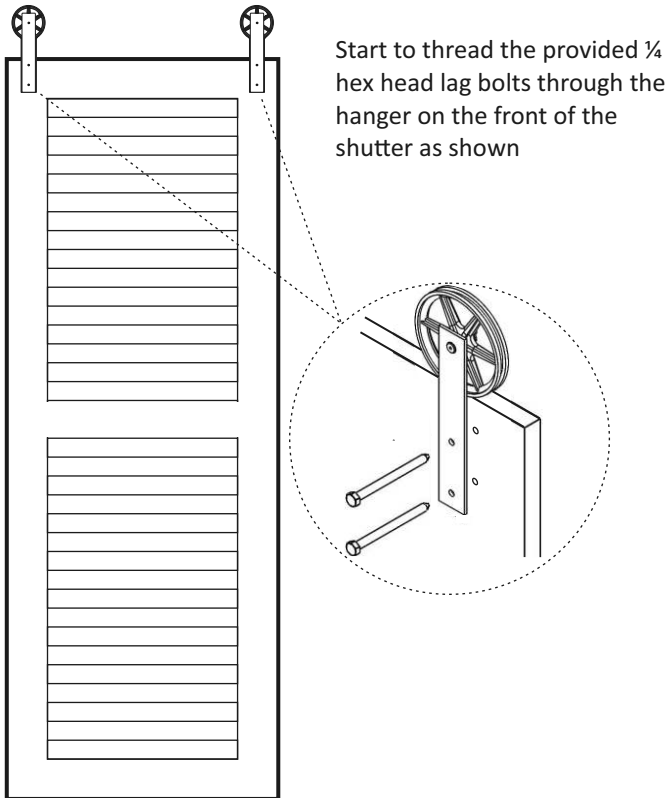


Center your track over the window as shown, then proceed to install as instructed below.

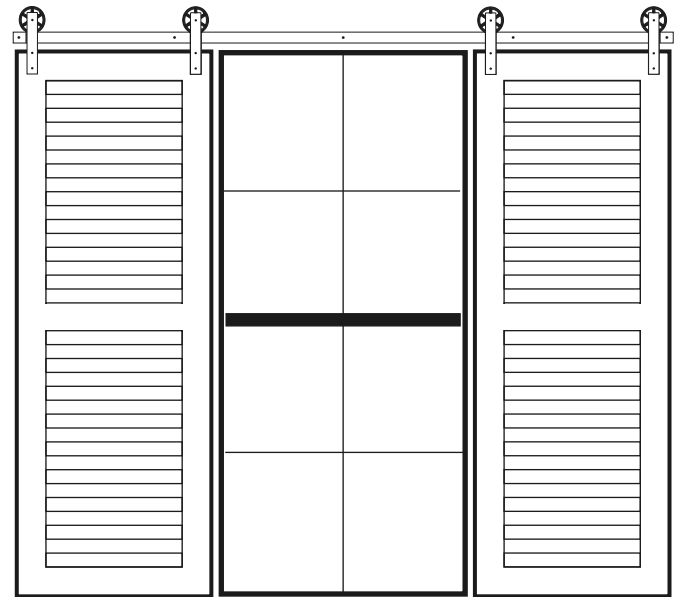


Using the provided hex lag bolt, track, track stop and spacer connect each end of the track to the wall as shown.

Use the remaining hex lag bolts and spacers finish attaching the track at the remaining connecting points.



Start to thread the provided 1/4 hex head lag bolts through the hanger on the front of the shutter as shown



Once the 1/4 hex head lag bolts are threaded through the shutter, hang the shutter from the track in your desired position and continue to install the lag bolt so it goes into the wall.

Note: Use the spacer chart on the front to complete the install.