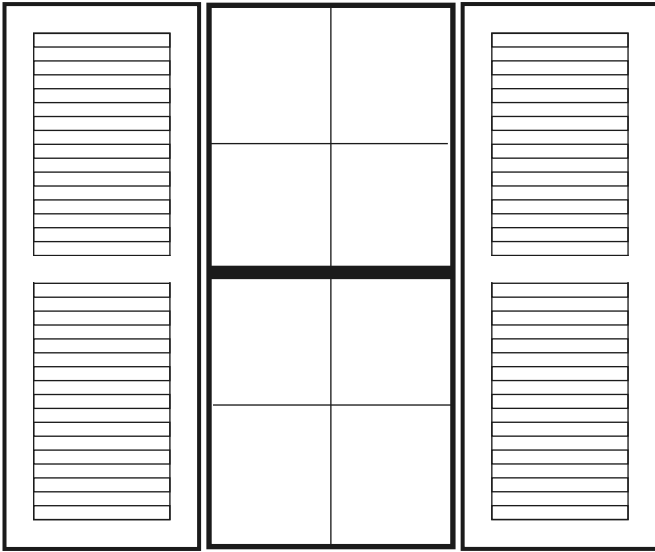




# Track Installation

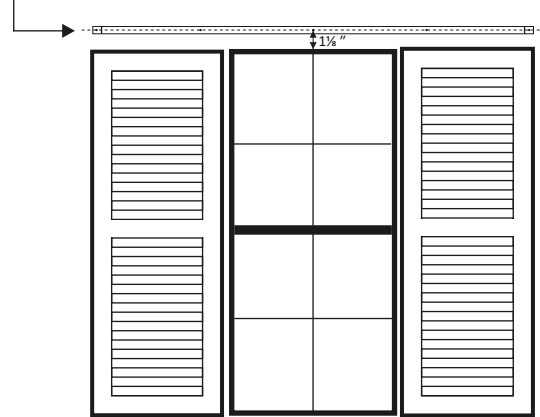
Attach the item to the wall.



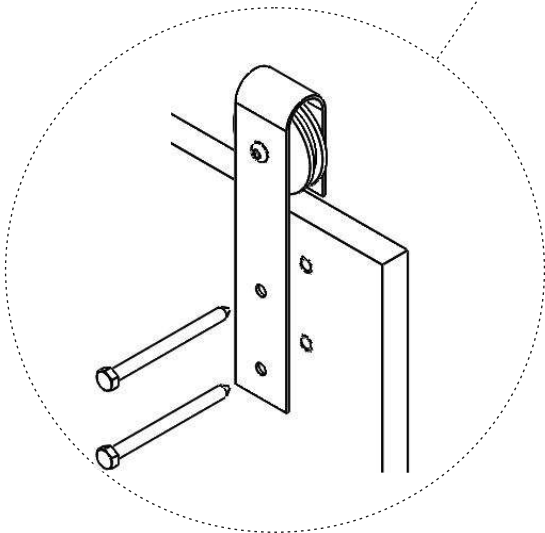
Center your track over the window as shown, then proceed to install as instructed below.

Using the provided hex lag bolt, track, track stop and spacer, connect each end of the track to the wall. Using the remaining hardware finish attaching the track.

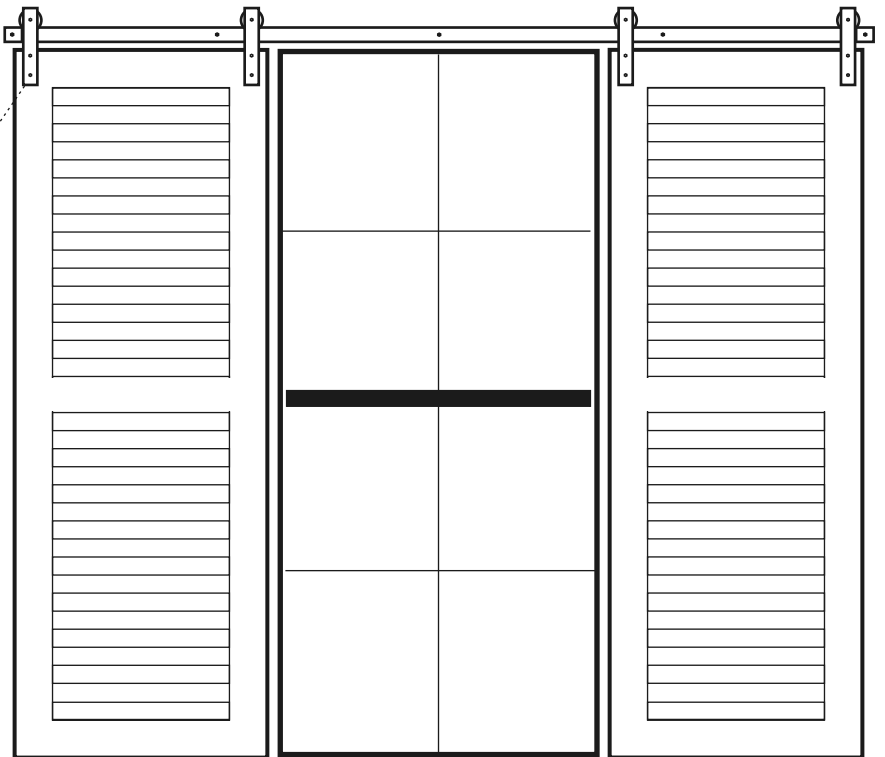
Track Centerline



**Note:** The track should be installed a minimum of 1 1/8" above the window to ensure the roller has clearance.



To install the hanger, insert the provided 1/4" hex head lag bolts through the hanger on the front of the item as shown.



Once the 1/4" hex head lag bolts are through the item, hang the shutter from the track in your desired position and continue to install the lag bolt so it goes into the wall.

**Note:** Use the spacer chart on the front to complete the install.