

GOLDBERG BROTHERS, INC.

Shutter Series Straight Strap - Installation Instructions

Included Hardware

Straight strap hangers (2)
3" Hex lag bolts (4)
1/2" Spacers (4)

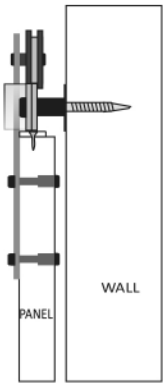
Track stops (2)
1 1/2" Hex lag bolts (4)
Blind inserts (4)

3/4" Button head screws (4)
Adjustable guide (1)
Felt pad (1)

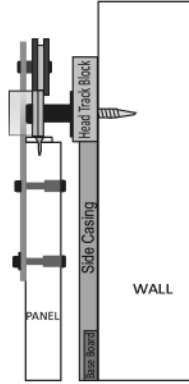
Washers (4)
3/4" Adjustable guide screws (2)
Hex key wrench (1)

3/8" Spacers (4)
1 1/4" Adjustable Guide screws (2)
1/4" Spacers (4)

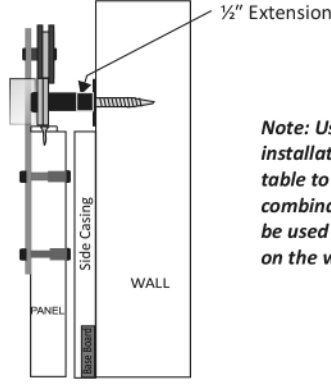
Basic Installation Layouts



Standard hardware set installed with no casing, base, or other trim.



Standard hardware set installed on track trim board that is equal to or thicker than the casing or other trim.



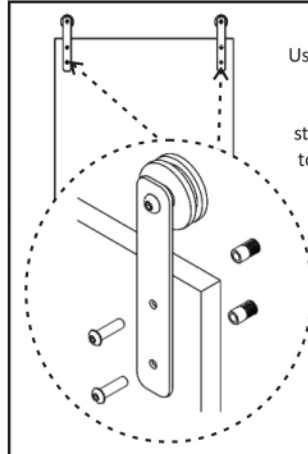
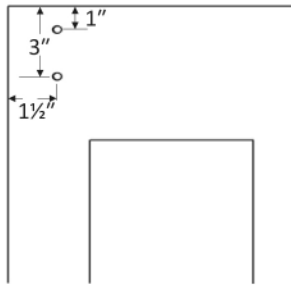
Standard hardware set + 1/4", 3/8" or 1/2" extension kit installed where casing, base, or other trim is up to 1/2".

Note: Use the provided installation layouts and table to establish what combination of spacers will be used to install the track on the wall.

Panel Thickness	Spacers
3/4"	3/8"
7/8"	1/2"
1"	1/4" + 3/8"
1 1/8"	1/4" + 1/2"

Door Prep and Hanger Installation

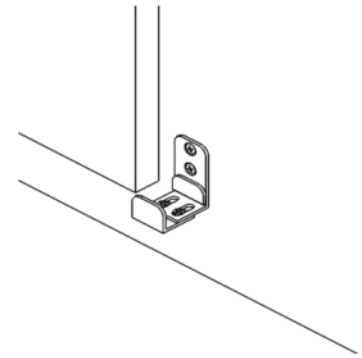
1 1/2" from both sides of the top half of the door, measure down 1" and 3" and drill 1/8" pilot holes, followed by 3/8" holes.



Using the button head screws and blind inserts, attach the straight strap hangers to the door as shown in the diagram.

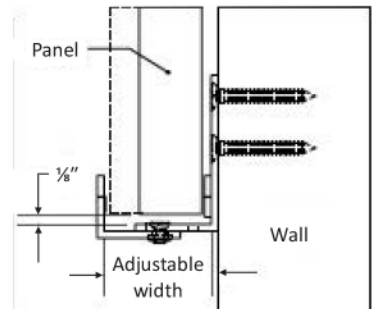
Note: Blind inserts can cross thread easily. Pre-threading prior to inserting is recommended.

Adjustable Guide Installation



Using the adjustable guide screws, attach the adjustable guide to the wall by aligning the edge of the guide with the edge of the finished opening as shown above.

Adjust the width of the guide based on the thickness of the panel.



Goldberg Brothers barn door track and hardware sets come with a one-year manufacturer's warranty for defective parts under normal installation and use. Warranty is subject to repair or replacement of defective components at manufacturer's discretion and does not include installation costs.

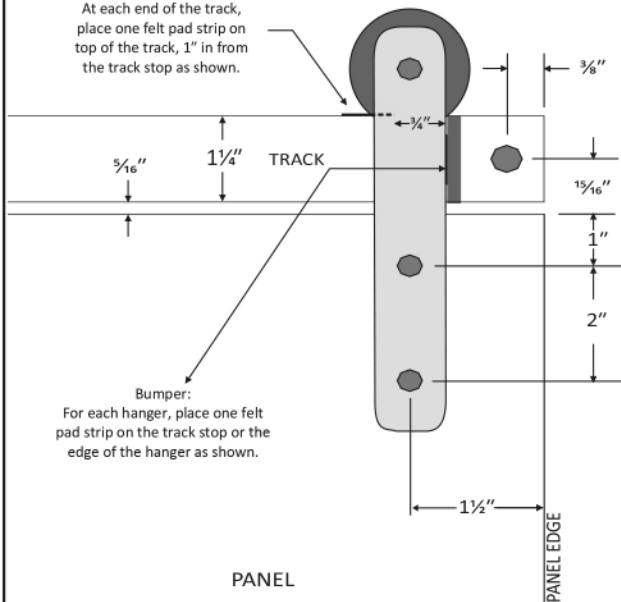
Goldberg Brothers does not warrant the loss of finish at points where roller is in contact with track. Goldberg Barn Track is sold as a rustic finished hardware and Goldberg does not warrant the imperfections seen through the finish in the steel parts. It is part of the look.

With the exception of our stainless steel products, Goldberg Brothers does not warrant any products installed and used outdoors or where they are exposed to weather, running water or water condensation. Under these conditions, rust and other damage will naturally occur.

This warranty does not include loss or defects caused by elements outside the control of Goldberg Brothers, Inc., such as natural disasters, weather, fire, water leakage, abuse, improper installation, or anything else deemed out of the control of Goldberg Brothers, Inc.

Stay:
At each end of the track, place one felt pad strip on top of the track, 1" in from the track stop as shown.

Bumper:
For each hanger, place one felt pad strip on the track stop or the edge of the hanger as shown.

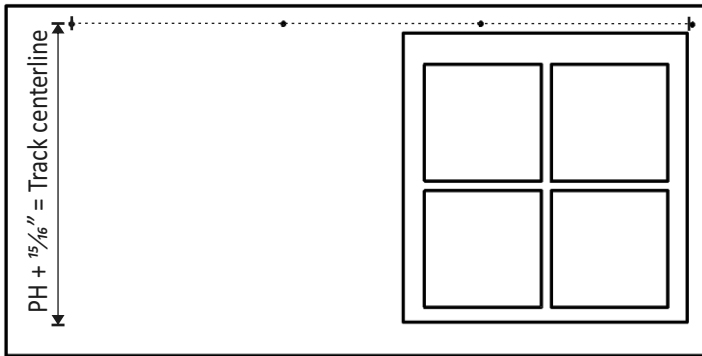


In the closed position, the door should overlap the wall a minimum of 3/8" at the top and a minimum of 1/2" on both sides.

The edge of the door should align with the end of the track.

Note: After the door is hung from the track, the anti-jump blocks can be installed directly behind the straight strap hanger.

Track Installation

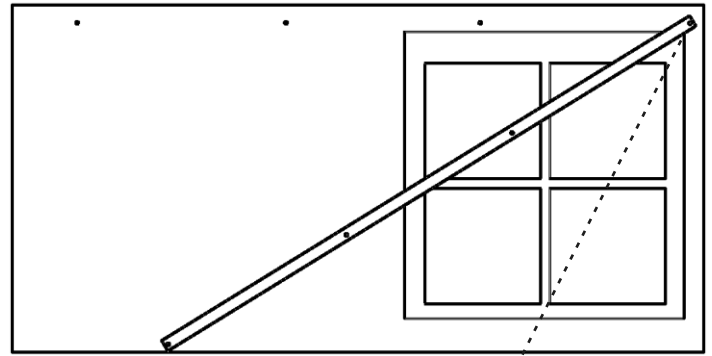


Note: The size and location of the panel will determine where the centerline* will be located.

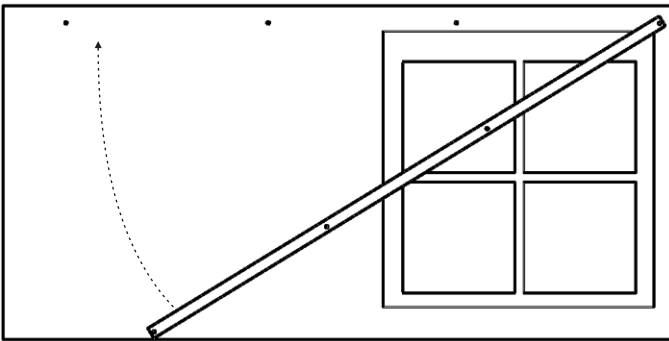
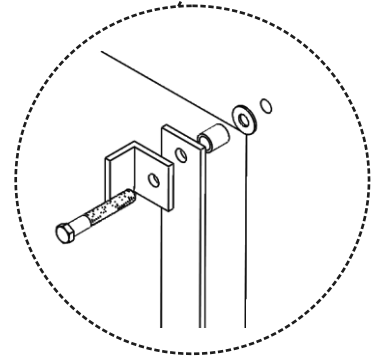
Mark the centerline of the track on the wall using a level.

*The centerline of the Track is represented as the panel height (PH) + $\frac{15}{16}$ \".

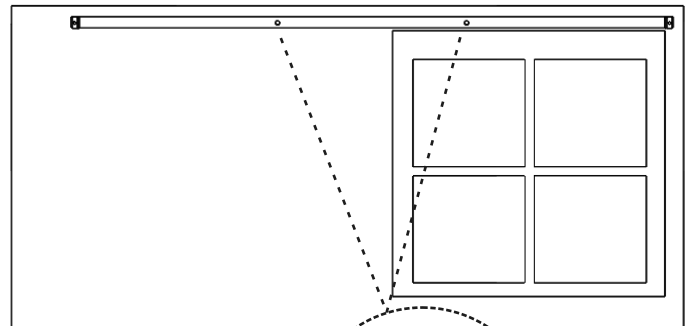
At each of the track connecting points drill $\frac{1}{8}$ \" pilot holes.



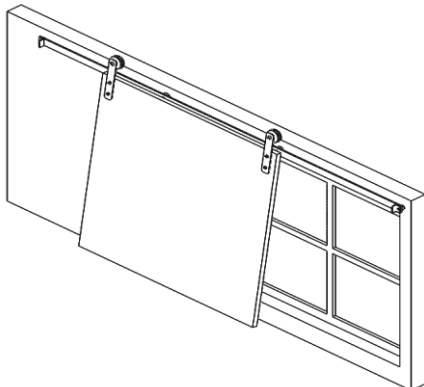
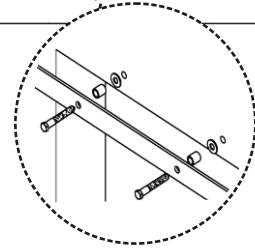
Using a hex lag bolt, track stop, spacer and washer, connect one end of the track to the wall using the pre-drilled hole closest to the opening as shown in the diagram.



Using the same method, connect the opposite end of the track to the wall as shown.



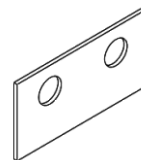
Using the remaining hex lag bolts, spacers and washers finish attaching the track at the remaining connecting points.



Lift the panel and hang it from the track.

Optional Accessory

Track Connecting Plate
1 each
Part #6003C-*



Wall Extension Bolts Set
Includes 4 lag bolts and
4 wall spacers
Part #6003E-*



Goldberg Brothers, Inc.
10488 W Centennial Rd, Suite 100
Littleton, CO 80127
(303) 321-1099