

# GOLDBERG BROTHERS, INC.

Privacy Latch - Installation Instructions

## Included Hardware

Latch arm

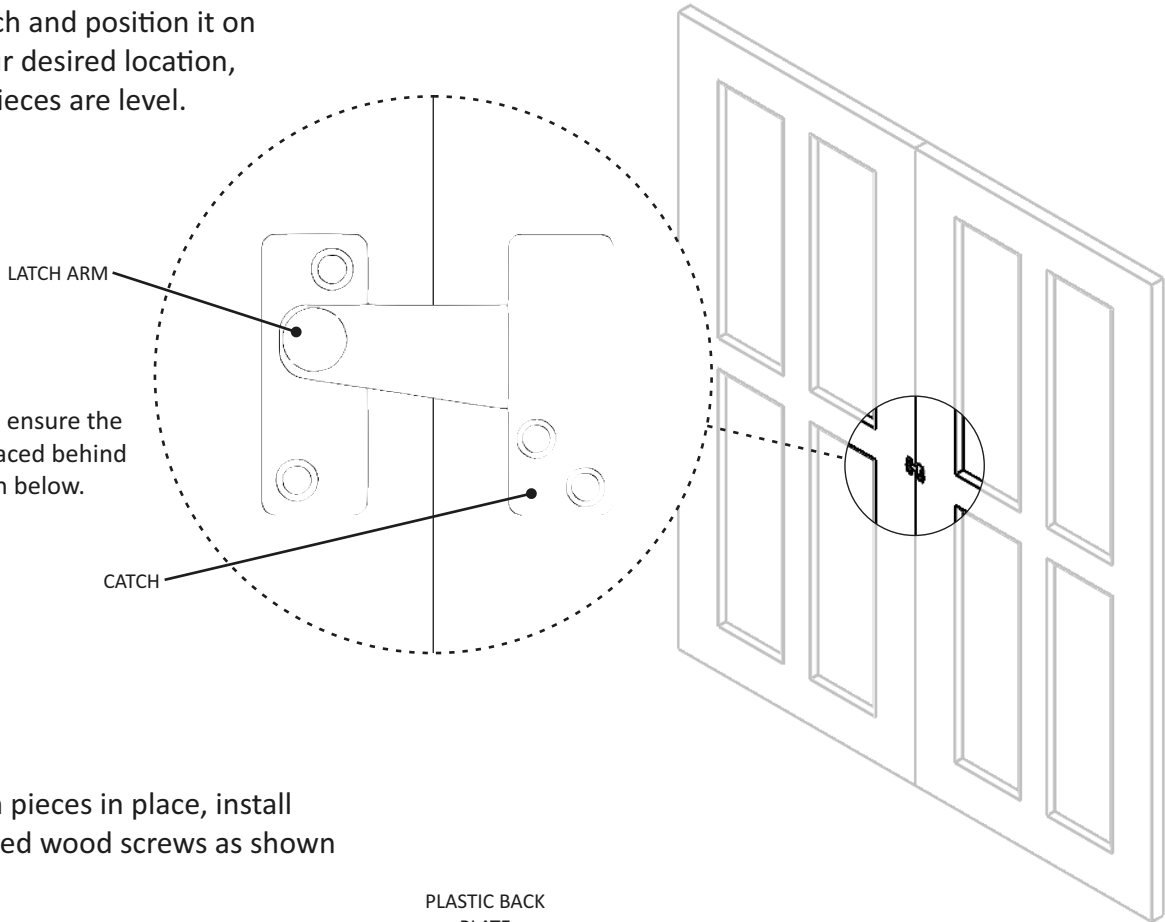
Catch

Plastic Back Plate

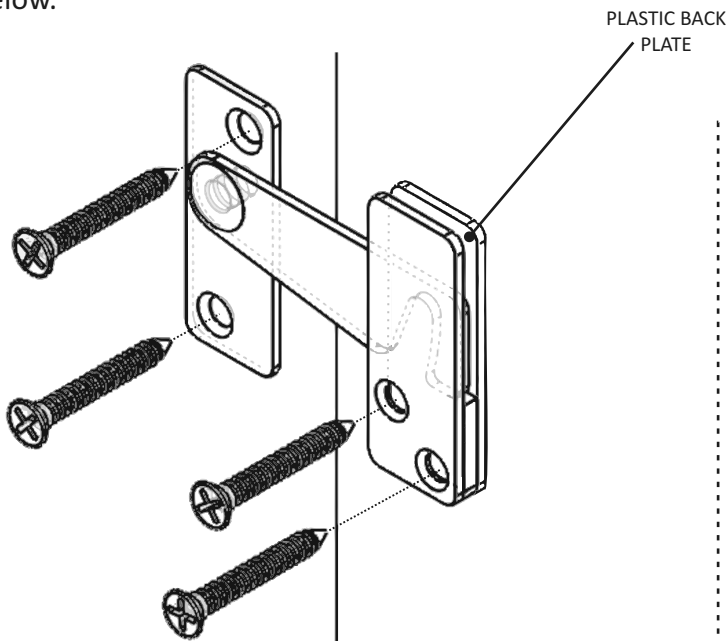
Wood screws

**1** - Hook the latch and position it on the doors in your desired location, ensuring both pieces are level.

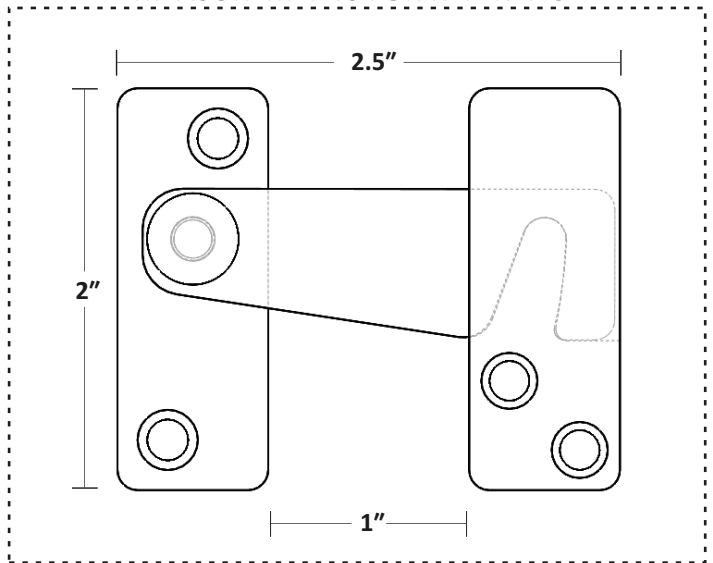
**NOTE:**  
To prevent scratching, ensure the plastic back plate is placed behind the catch as shown below.



**2** - Keeping both pieces in place, install using the provided wood screws as shown below.



### \*MEASUREMENTS FOR REFERENCE\*



Goldberg Brothers Barn Door Track and Hardware sets come with a one-year manufacturer's warranty for defective parts under normal installation and use. Warranty is subject to repair or replacement of defective components at manufacturer's discretion and does not include installation costs. With the exception of our stainless steel products, Goldberg Brothers does not warrant any products installed and used outdoors or where they are exposed to weather, running water or water condensation. Under these conditions, rust and other damage will naturally occur. This warranty does not include loss of defects caused by elements outside the control of Goldberg Brothers, Inc., such as natural disasters, weather, fire, water leakage, abuse, improper installation, or anything else deemed out of the control of Goldberg Brothers, Inc.

This document contains proprietary information of Goldberg Brothers, Inc. and its receipt of possession does not convey any rights to reproduce or disclose its contents, or to manufacture, use or sell anything it may describe. Reproduction, disclosure, or use without prior written authorization from Goldberg Brothers, Inc. is strictly forbidden.



Goldberg Brothers, Inc.  
10488 W Centennial Rd, Suite 100  
Littleton, CO 80127  
(303) 321-1099