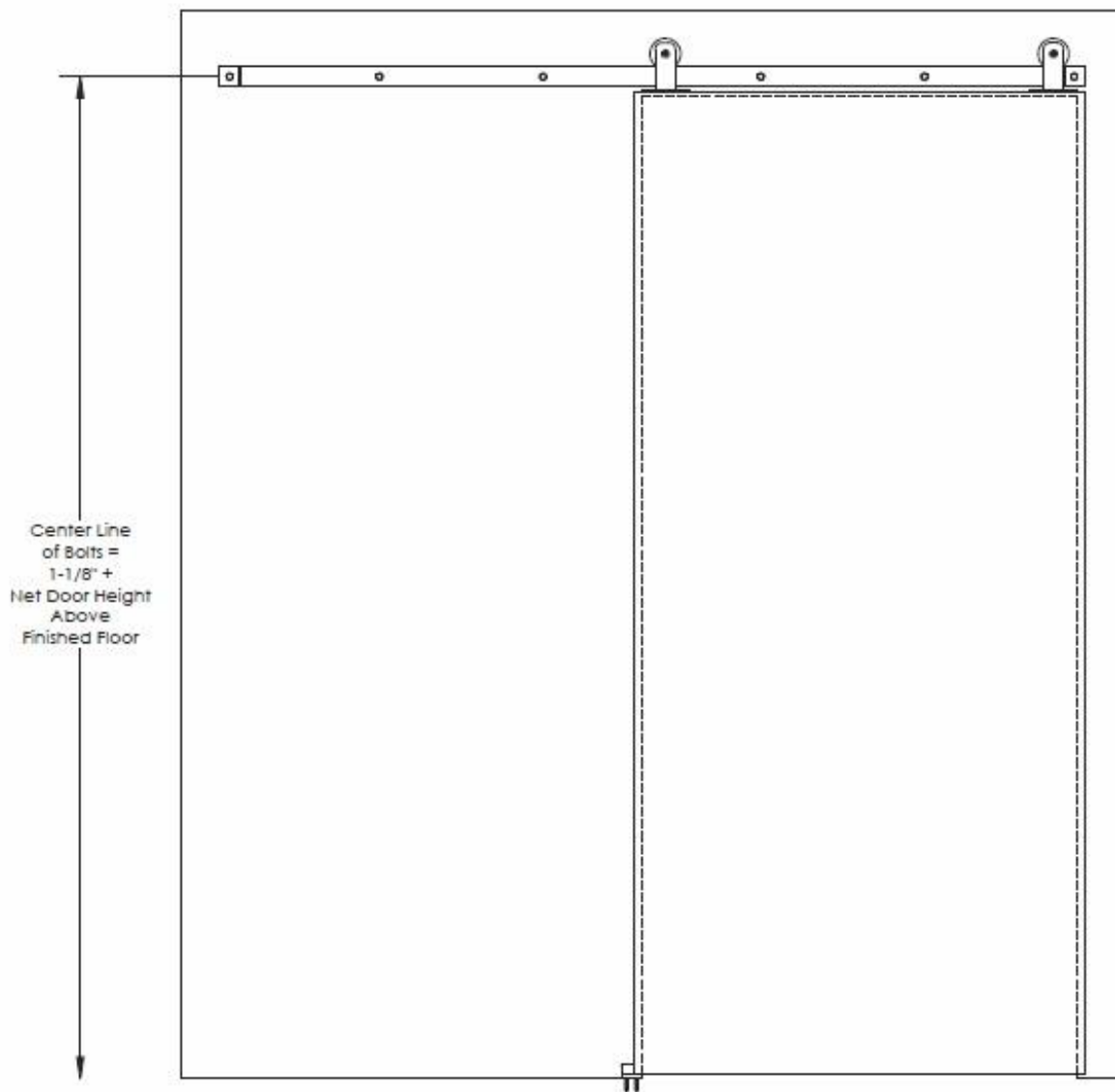


Goldberg Brothers MP Series- Top Mount



Single Door

1. Finished Opening
Width = Net Door - 1"
Height = Net Door + 0"
2. Track Length =
Net Door x 2-1/2"

Double Door

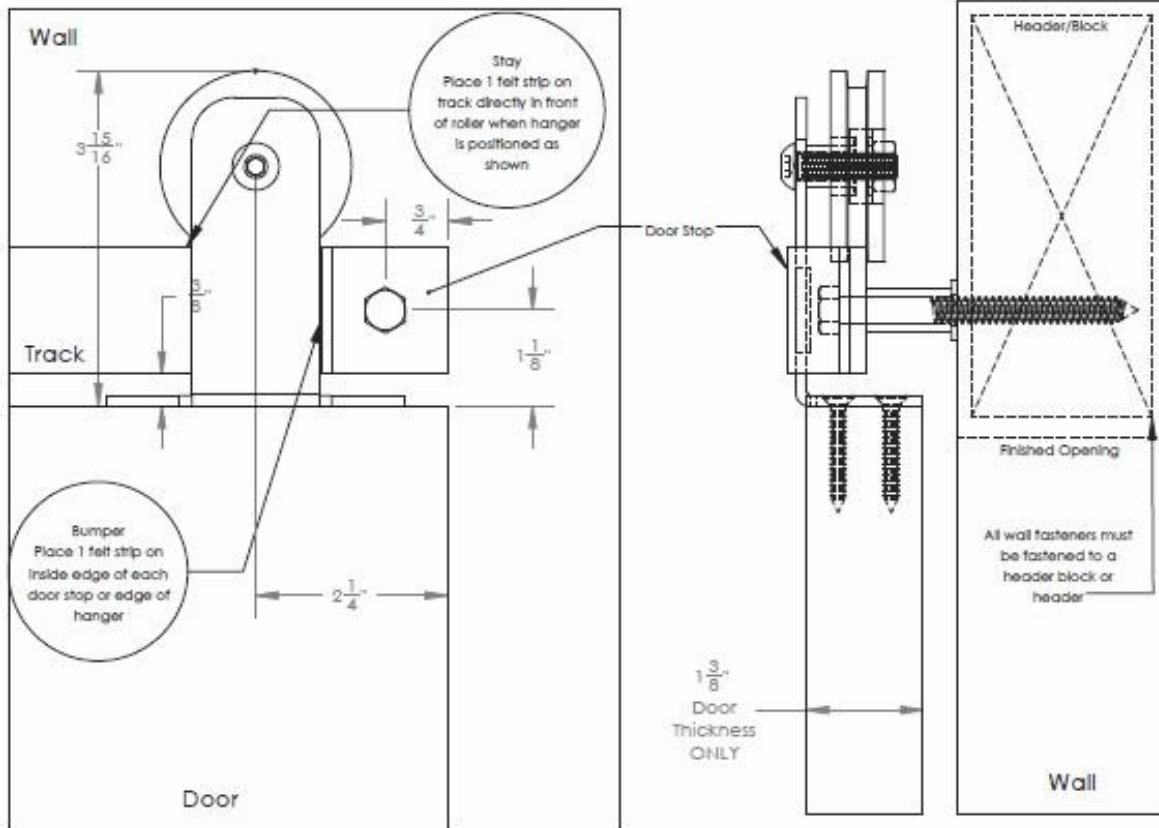
1. Finished Opening
Width = Net Door x 2 - 1"
Height = Net Door + 0"
2. Butt Two Single Tracks
Center of Opening

Goldberg Barn Door Track and Hardware sets come with a one year manufacturers warranty for defective parts under normal installation and use. Warranty is subject to repair or replacement of defective part(s) at manufacturers discretion and does not include installation costs. Goldberg Brothers does not warrant the loss of finish at points where roller is in contact with track. Goldberg Barn Track is sold as a rustic finished hardware and Goldberg does not warrant the imperfections seen through the finish in the steel parts, as it is part of the look.

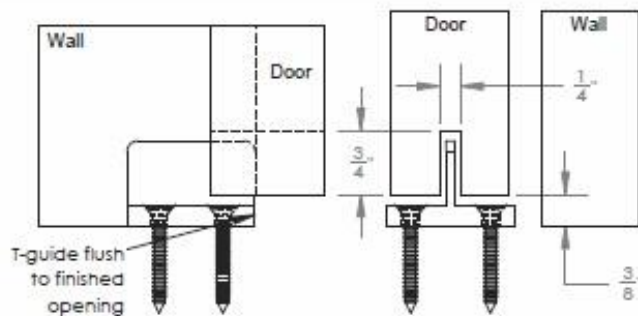
This document contains proprietary information of Goldberg Brothers, Inc. and its receipt of possession does not convey any rights to reproduce or disclose its contents, or to manufacture, use, or sell anything it may describe. Reproduction, disclosure, or use without prior written authorization of Goldberg Brothers, Inc. is strictly forbidden.

GOLDBERG BROTHERS, INC.
Denver, CO
303-321-1099

Goldberg Brothers MP Series- Top Mount



Floor Mounted T-Guide



Replacement Part Kits

Hanger, Roller, & Hardware

1 ea.

Part #:

6008HTM-X*



T-guide

1 ea.

Part #:

6001G-X*



Track Mounting Hardware

1 pk. of 6

Part #:

6008M-X*



Panel Stop

1 ea.

Part #:

6008S-X*



GOLDBERG BROTHERS, INC.
Denver, CO
303-321-1099

Optional Part Kits

Track Connecting Plate

1 ea.

Part #:

6008C-X*



Extension Kit

1 pk. of 6

Part #:

6008E-X*



*X Indicates that the related part is available in black, silver, or arc bronze