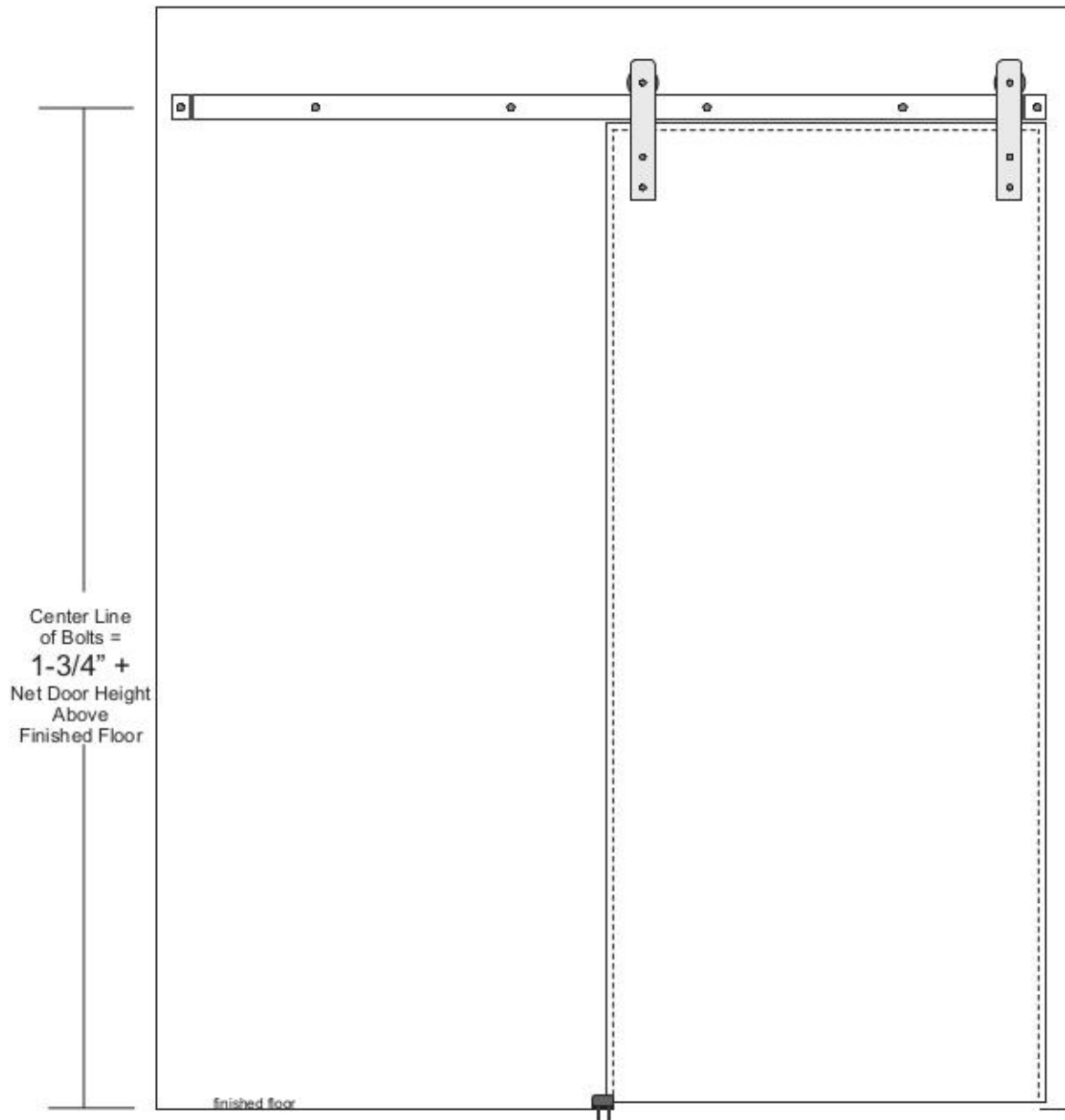




GOLDBERG BROTHERS. INC.

Sliding Barn Door
Track & Hardware Exposed Roller



Single Door

1. Finished Opening
Width = Net Door - 1"
Height = Net Door + 0"
2. Track Length =
Net Door X 2 - 1/2"

Double Door

1. Finished Opening
Width = Net Door X 2 - 1"
Height = Net Door + 0"
2. Butt Two Single Tracks
Center of opening.



Goldberg Barn Door Track and Hardware sets come with a one year manufacturers warranty for defective parts under normal installation and use. Warranty is subject to repair or replacement of defective part/s at manufacturers discretion and does not include installation costs. Goldberg Brothers does not warrant the loss of finish at points where roller is in contact with track. Goldberg Barn Track is sold as a rustic finished hardware and Goldberg does not warranty the imperfections seen through the finish in the steel parts, it is part of the look.

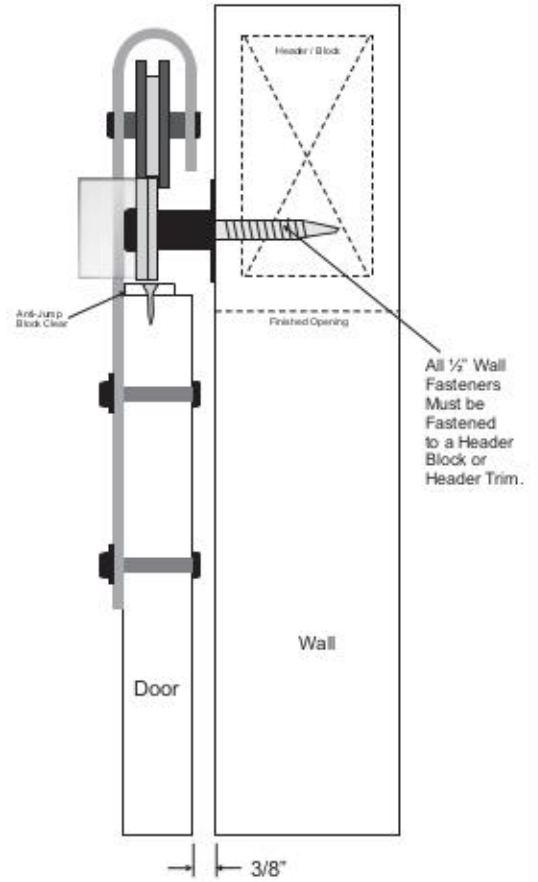
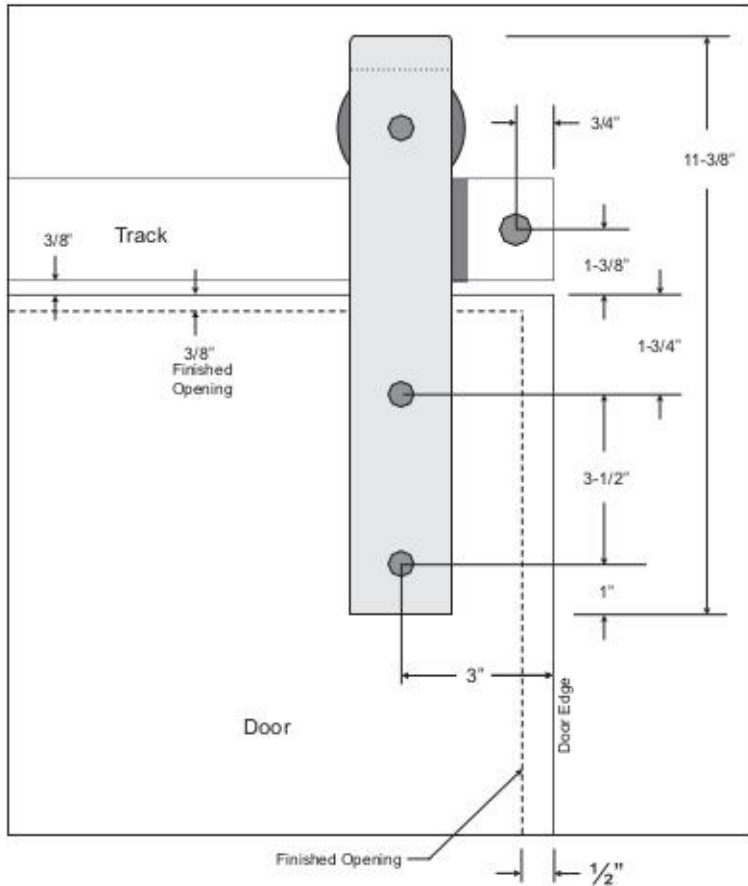
This document contains proprietary information of Goldberg Brothers, Inc. and its receipt of possession does not convey any rights to reproduce or disclose its contents, or to manufacture, use, or sell anything it may describe. Reproduction, disclosure, or use without prior written authorization of Goldberg Brothers, Inc. is strictly forbidden.

GOLDBERG BROTHERS, INC.
Denver, CO 303-321-1099



GOLDBERG BROTHERS, INC.

Sliding Barn Door Track & Hardware Exposed Roller

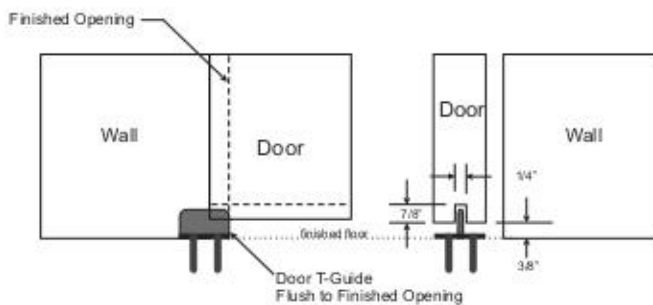


Center Line of Track Mounting Bolts =
1-3/4" + Net Door Height Above Finished Floor

Note: Standard installation of Barn Track only allows 3/8" gap between wall and door, this gap may not accommodate base or other trim mounted on the wall. If these items are required, additional spacing at the track mounts will need to be added. (available for purchase) or a header track trim may be used (supplied by others).

Replacement Part Kits

Plum Door Before Fastening Door Guide to Floor.



Hanger Roller 1-Set
For 1-3/8" Door
Part # 60013R-6 (black)
Part # 60013R-1 (silver)
For 1-3/4" Door
Part # 60014R-6 (black)
Part # 60014R-1 (silver)
For 2-1/4" Door
Part # 60015R-6 (black)
Part # 60015R-1 (silver)
Includes Hanger Roller,
2-Bolts, Nuts, and
Lock Washers.



Wall Mounting Hdw 6-Sets
For 1-3/8" Door
Part # 60013M-6 (black)
Part # 60013M-1 (silver)
For 1-3/4" Door
Part # 60014M-6 (black)
Part # 60014M-1 (silver)
For 2-1/4" Door
Part # 60015M-6 (black)
Part # 60015M-1 (silver)
Includes 6-Lag Bolts,
Wall Spacers, and
Fender Washers.

Door Guide 1-set
Part # 6001G-6 (black)
Part # 6001G-1 (silver)
Includes T-guide & 2-Screws

Track Connecting Plate 1-ea
Part # 6001C-6 (black)
Part # 6001C-1 (silver)

Door Stop 1-ea
Part # 6001S-6 (black)
Part # 6001S-1 (silver)



Anti-Jump Blocks 2-sets
Part # 6001S-6 (black)
Part # 6001S-1 (silver)
Includes 2-Blocks & 4-Screws



Touch-Up Paint 1-ea
Part # 6001P-6 (black)
Part # 6001P-1 (silver)

Side Wall Guide Bracket 1-ea
Part # 6001SW-6 (black)
Part # 6001SW-1 (silver)
Includes 1-Bracket
& 2-Machine Screws



Wall Extension Bolts 6-Sets
For 1-3/8" Door
Part # 60013E-6 (black)
Part # 60013E-1 (silver)
For 1-3/4" Door
Part # 60014E-6 (black)
Part # 60014E-1 (silver)
Includes 6-Lag Bolts,
1/2" Wall Spacers, and
Fender Washers.

Bumper / Stay Pack 4-pk
Part # 6001BS

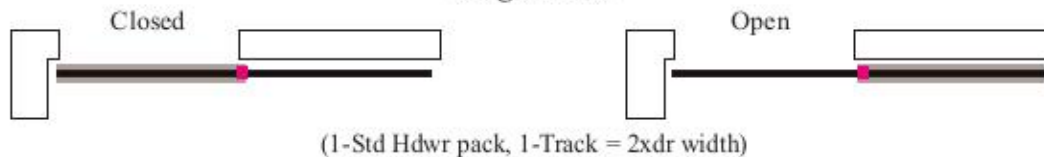
GOLDBERG BROTHERS, INC.
Denver, CO 303-321-1099



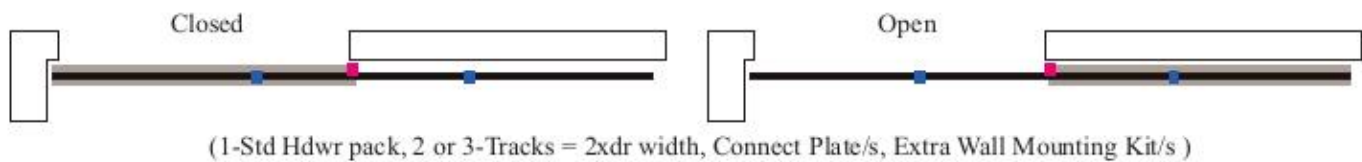
Barn Track Std System Layouts

- T-Guide location (floor mount)
- Connection Plate (track mount)

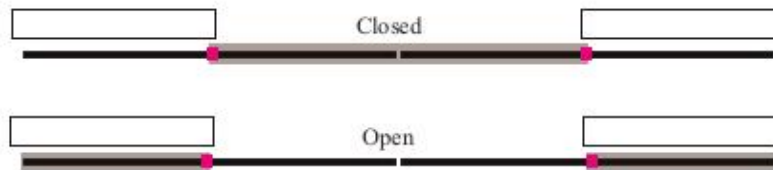
Single Door



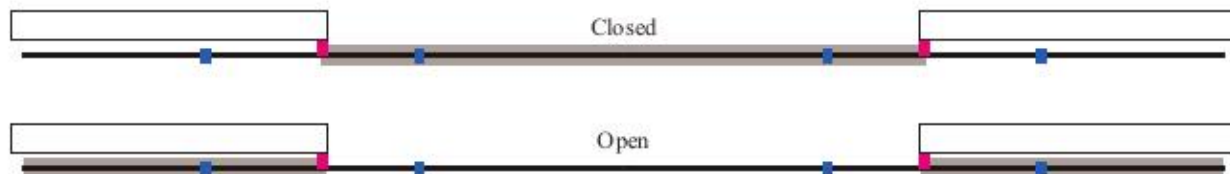
Single Door Larger Than 4'



Pair of Bi-Parting Doors



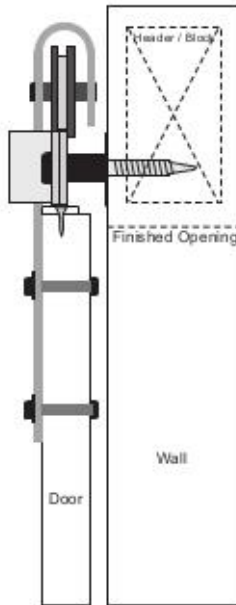
Pair of Bi-Parting Doors Larger Than 4' ea.



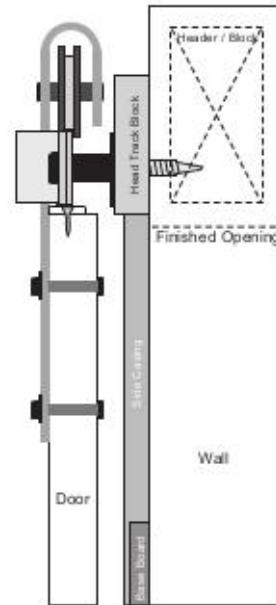


GOLDBERG BROTHERS, INC.

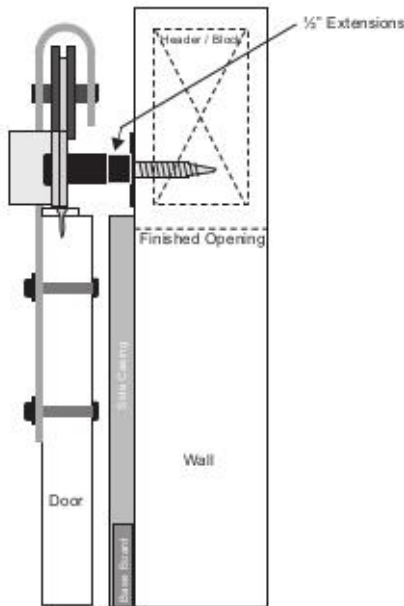
Sliding Barn Door Track & Hardware Exposed Roller



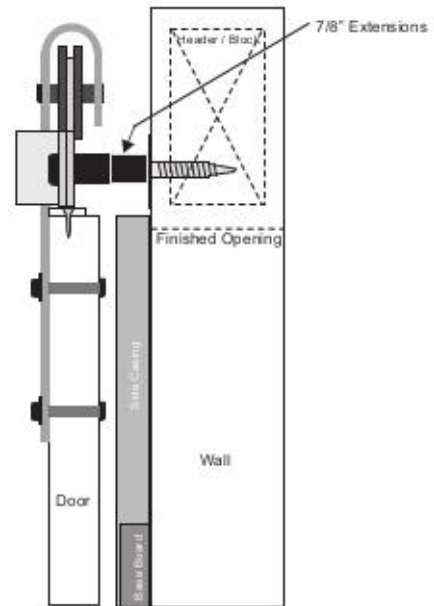
Standard Hardware Pack
installed on flat wall with
no casing, base, or chair rail.



Standard Hardware Pack
installed on head track block that is
equal or thicker than casing, base, or chair rail.



Standard Hardware Pack + 1/2" Extension Kit
installed on flat wall with casing, base, or chair rail
that is up to 1/2" thick .



Standard Hardware Pack + 7/8" Extension Kit
installed on flat wall with casing, base, or chair rail
that is greater than 1/2" thick and less than 1" thick .