



## Goldberg Barn Track

### Bi-Pass Hardware Set

Goldberg Brothers is please to offer our new Bi-Pass exposed roller sliding track and hardware set in conjunction with our already popular standard systems.

Add this hardware set for the front sliding door/s of your system, while using standard hardware sets for the back door/s.

System requires extra track and mounting hardware for the front door, and either a built out soffit or our no soffit spacer kits.

Powder coated finished in Black, Silver, Rustic Brown, and Architectural Bronze.

400lb capacity per door.

Bi-Pass hardware sets are sold by door thickness and include these items.



Spacer Kits for non-soffit installs, are sold by door thickness and in packages of 6, enough for one track. Two or more packs required in most cases.

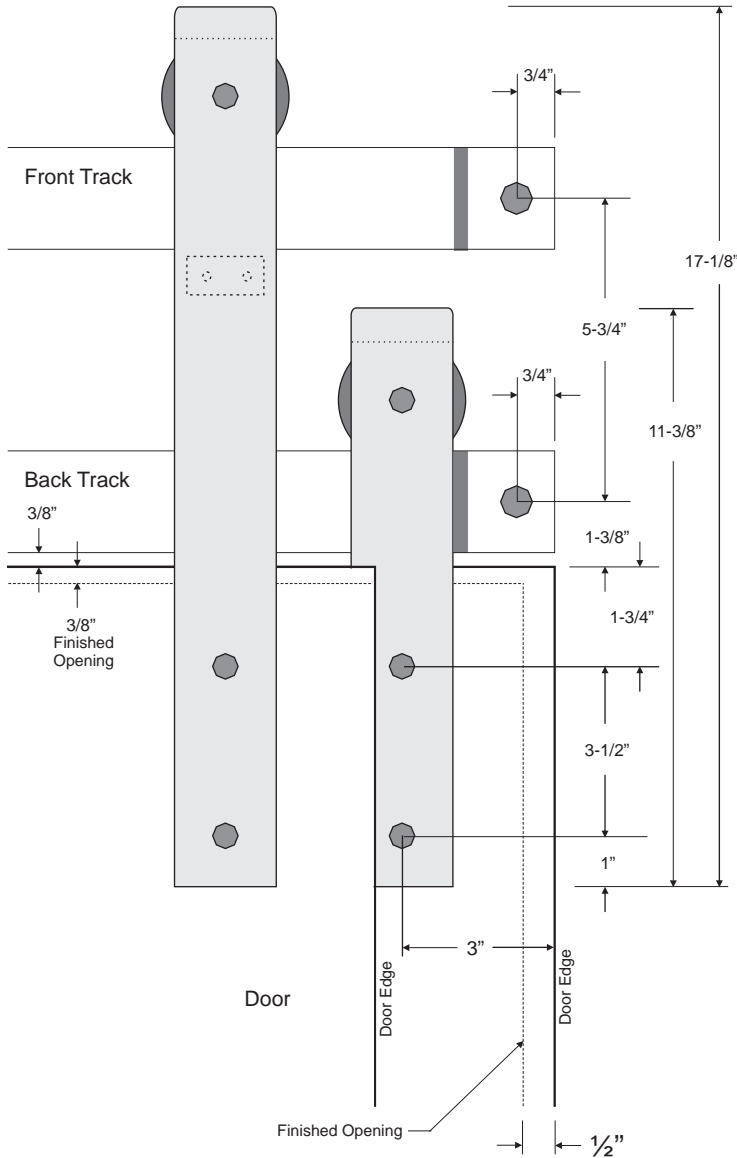




Made in USA

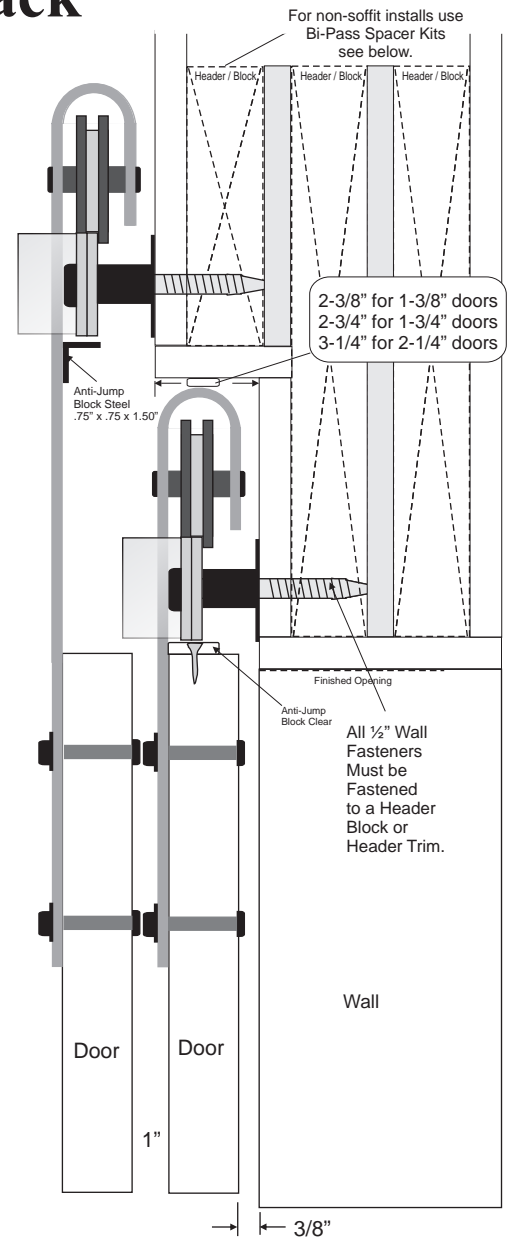
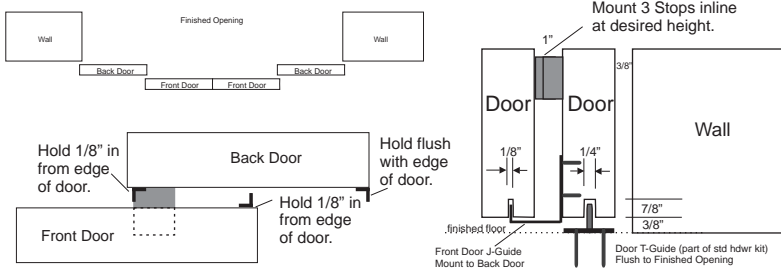
## Bi-Pass Barn Track

Since 1897







Center Line of Back Track's Mounting Bolts =  
 $1-3/4" + \text{Net Door Height Above Finished Floor}$   
 Center Line of Front Track is  $5-3/4"$  Higher than Back Track.

Plum Door Before Fastening Door Guide to Floor.



Note: Standard installation of Barn Track only allows 3/8" gab between wall and door, this gap may not accommodate base or other trim mounted on the wall. If these trims are required, additional spacing at the track mounts will need to be added. (available for purchase) or a header track trim may be used (supplied by others).

### Replacement Part Kits

 <p>Bi-Pass Hanger Roller 1-Set            Part # 60013RX-(color)            For 1-3/8" Door            Part # 60014RX-(color)            For 1-3/4" Door            Part # 60015RX-(color)            For 2-1/4" Door            Includes XL Hanger Roller, 2-Bolts, Nuts, &amp; Lock Washers and Anti-Jumb Block and Nuts.</p>	 <p>Bi-Pass Spacer Kit (6-Sets)            Part # 60013MX-(color)            For 1-3/8" Door            Part # 60014MX-(color)            For 1-3/4" Door            Part # 60015MX-(color)            For 2-1/4" Door            Includes 12-Lag Bolts, Wall Spacers, Fender Washers, and Track Support Z-Brackets.</p>
 <p>Bi-Pass Door J-Guide            Part # 60013GX-(color)            For 1-3/8" Door            Part # 60014GX-(color)            For 1-3/4" Door            Part # 60015GX-(color)            For 2-1/4" Door            Includes 1 J-guide &amp; screws.</p>	 <p>Bi-Pass Grab/Push Stops (3)            Part # 6001PSX-(color)            Includes 3 grab stop brackets and 6 screws.</p>



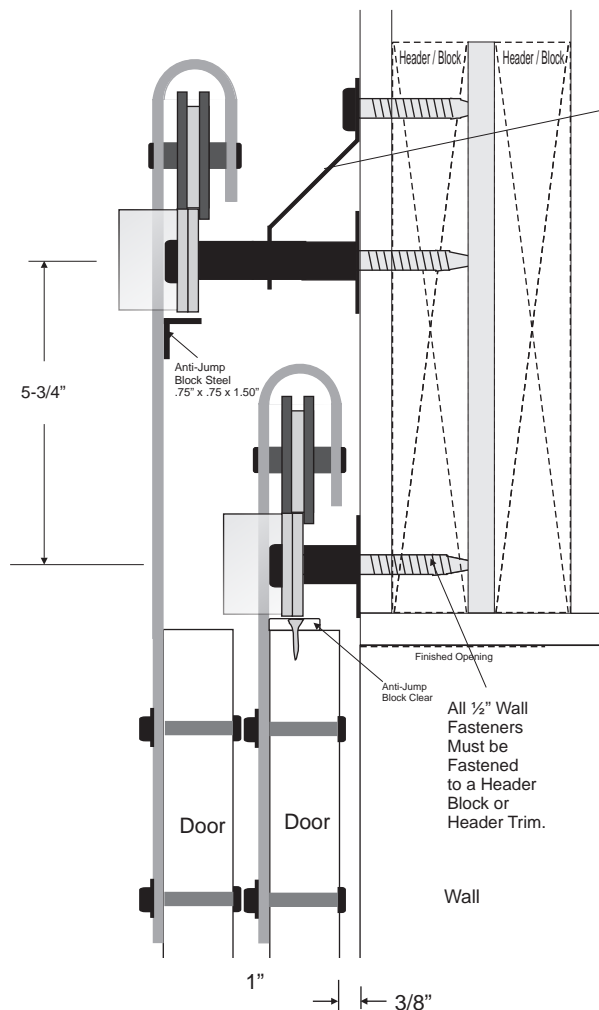
Made in USA

Since 1897

## Bi-Pass Barn Track

Non-Soffit Install

### Optional Bi-Pass Spacer Kit



Z-Bracket support with lag bolts at all track support positions.

Bi-Pass Spacer Kit (6-Sets/Kit)  
 Part # 60013MX-(color)  
 For 1-3/8" Door  
 Part # 60014MX-(color)  
 For 1-3/4" Door  
 Part # 60015MX-(color)  
 For 2-1/4" Door



Includes 12-Lag Bolts,  
 Wall Spacers,  
 Fender Washers, and  
 Track Support Z-Brackets.

### Examples: How To Order Bi-Pass System

#### Two Door Bi-Pass Set

- Back Door - 1 ea. - 60014H Std Hdw Set  
 1 ea. - 6001T6 6' Track
- Front Door - 1 ea. - 60014HX Bi-Pass Hdw Set  
 1 ea. - 6001T4 4' Track Front door track length = 1.5 X the length of the back door track.  
 1 ea. - 6001T5 5' Track  
 1 ea. - 6001C Connecting Plate  
 1 ea. - 60014M Wall Mounting Hdw
- Optional - 2 ea. - 60014MX Bi-Pass Spacer Kit (no soffit)

#### Four Door Bi-Pass Set

- Back Doors - 2 ea. - 60014H Std Hdw Set  
 2 ea. - 6001T6 6' Track
- Front Doors - 2 ea. - 60014HX Bi-Pass Hdw Set  
 2 ea. - 6001T4 4' Track Front door track length = 1.5 X the length of the back door track.  
 2 ea. - 6001T5 5' Track  
 2 ea. - 6001C Connecting Plate  
 2 ea. - 60014M Wall Mounting Hdw
- Optional - 4 ea. - 60014MX Bi-Pass Spacer Kit (no soffit)

Samples based on 1-3/4" x 3'0" doors with 70-1/2" opening on two door and 142" opening on four door samples.  
 Adjust order for door thickness and track length then add color code.



Made in USA

Since 1897

## Bi-Pass System Layouts

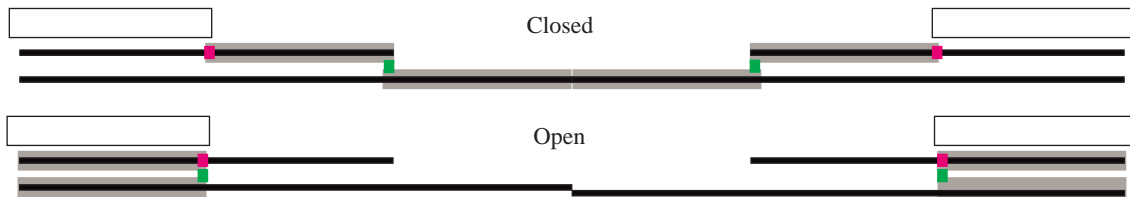
■ T-Guide location (floor mount)  
■ J-Guide location (on back door)

### 2 Door System Clear Opening



(1-Std Hdwr pack, 1-Track 2xdr width, 1-Bi-Pass Hdwr pack, 1or2 Track/s 3xdr width)  
(add Connecting Plate and Wall Mounting kit for second track if needed, and Bi-Pass Spacer kit/s if needed)

### 4 Door System Clear Opening



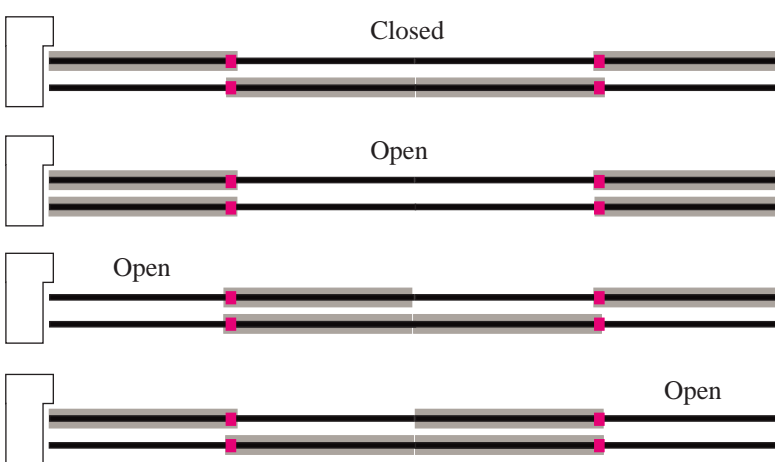
(2-Std Hdwr packs, 2-Tracks 2xdr width, 2-Bi-Pass Hdwr packs, 2or4 Track/s 3xdr width)  
(add Connecting Plates and Wall Mounting kits for over 2 tracks if needed, and Bi-Pass Spacer kit/s if needed)

### 2 Door System Pass Thru Opening



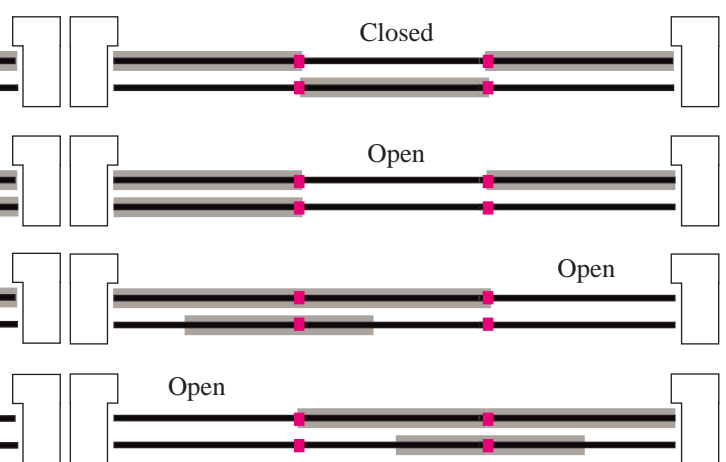
(1-Std Hdwr pack, 1-Bi-Pass Hdwr pack, 2-Tracks 2xdr width, 1-T-Guide extra, add Bi-Pass Spacer kit if needed)

### 4 Door System Pass Thru Opening



(2-Std Hdwr packs, 2-Bi-Pass Hdwr packs, 4-Tracks 2xdr width)  
(2-T-Guides extra, add Bi-Pass Spacer kits if needed)

### 3 Door System Pass Thru Opening



(2-Std Hdwr packs, 1-Bi-Pass Hdwr pack, 2-T-Guides extra)  
(2-Tracks 3xdr width, 2-Connecting Plates, 1-Wall Mounting kit)  
(add Bi-Pass Spacer kits if needed)