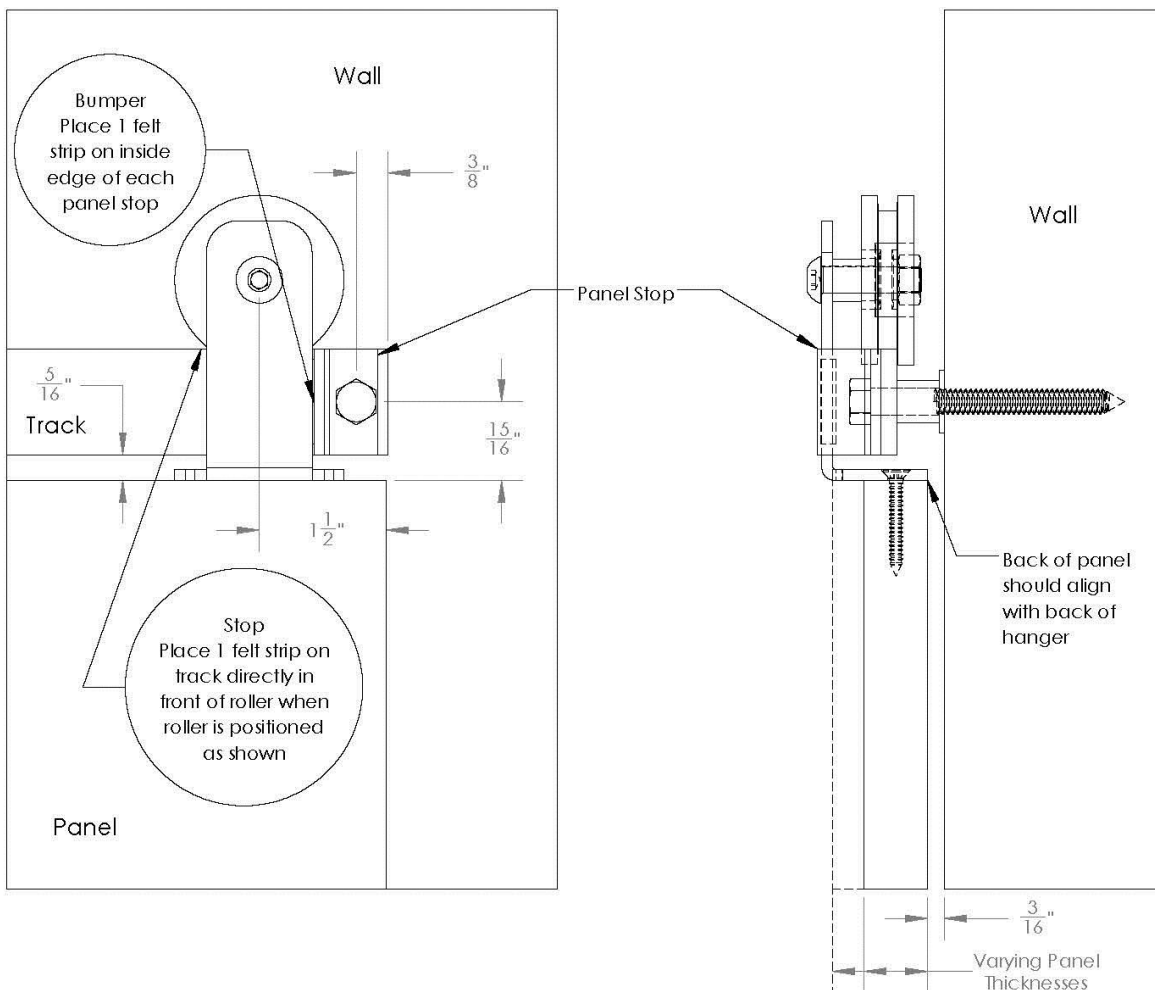


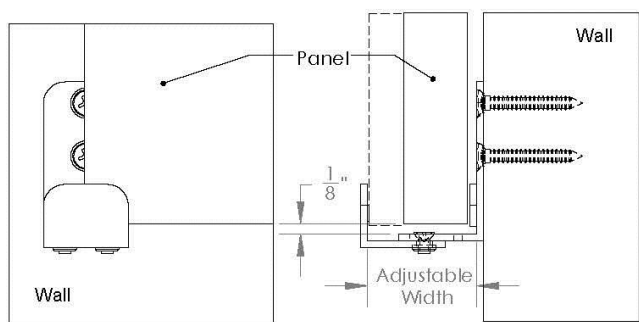
Goldberg Brothers

Shutter Series - Track and Hardware

Top Mount Hanger



Wall Mounted Panel Guide

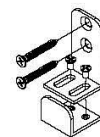


Replacement Part Kits

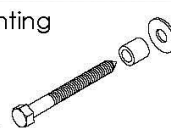
Hanger, Roller, & Hardware
1 ea.
Part #: 6003RT-X*



Panel Guide
1 ea.
Part #: 60038U-X*



Track Mounting Hardware
1 pk. of 4
Part #: 6003M-X*



Panel Stop
1 ea.
Part #: 60038S-X*

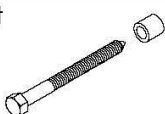


Optional Part Kits

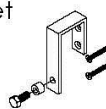
Track Connecting Plate
1 ea.
Part #: 6003C-X*



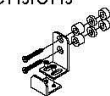
Extension Kit
1 pk. of 4
Part #: 6003E-X*



Bypass Bracket
1 pk. of 4
Part #: 6003BP-X*

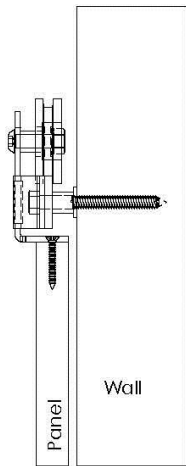


Panel Guide w/ Extensions
1 ea.
Part #: 60038UX-X*

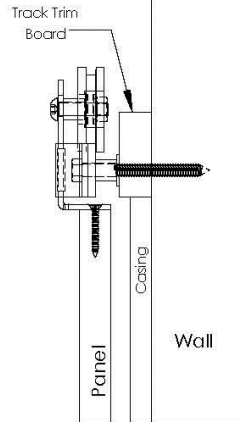


*X indicates that the related part is available in all colors

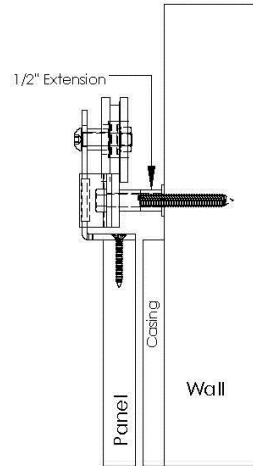
Goldberg Brothers Shutter Series



Std Hardware Pack installed with no casing, or other trim



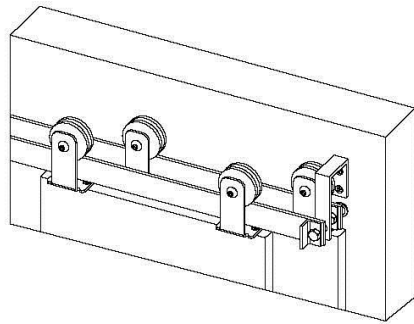
Std Hardware Pack installed on track trim board that is equal to or thicker than casing or other trim



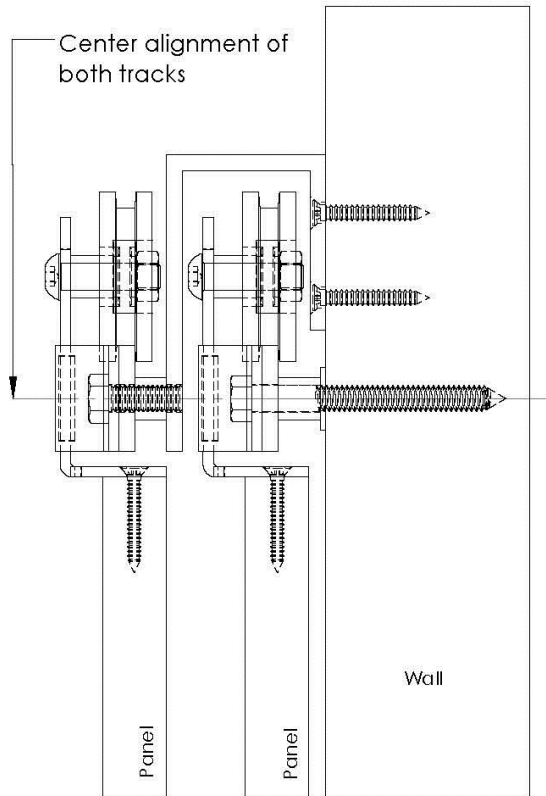
Std Hardware Pack + 1/2" Extension Kit installed where casing or other trim is up to 1/2" thick

Bypass System

Bypass kit includes all standard parts and hardware, minus track

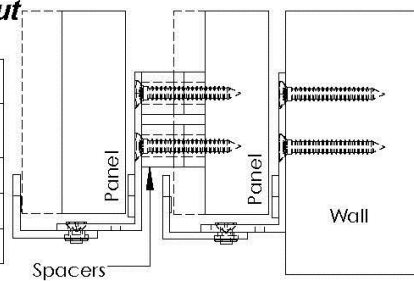


Center alignment of both tracks



Panel Guide Layout

Panel Thickness	Spacers
3/4"	1/8" + 1/4" + 3/8"
7/8"	1/4" + 3/8"
1"	1/8" + 3/8"
1-1/8"	3/8"



Bypass System Layouts

